



**FAG**

## S1BCH-50MM-HD [↗](#)

Soporte de apoyo

FAG split cylindrical roller bearing housing

### Información técnica



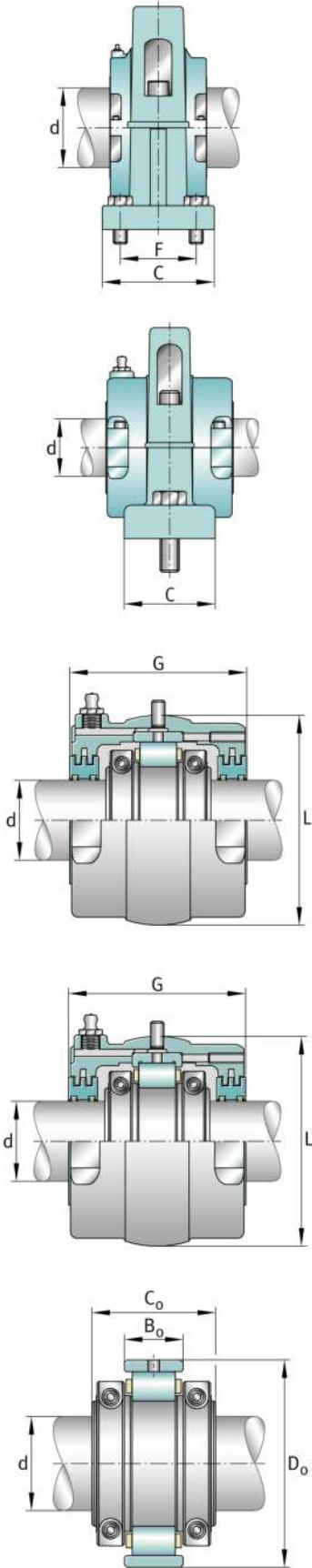
#### Medidas principales y datos de rendimiento

d	50 mm	Diámetro del eje
B	≈ 269,875 mm	Length base
H	≈ 158,75 mm	Housing height
≈m	8,391 kg	Peso



**Medidas**

	S1BCH-50MM-FL	Complete unit float
	S1BCH-50MM-HD	Complete unit held
	PH-2	Housing designation
A	≈ 69,85 mm	Center height
C	≈ 60,325 mm	Base width
D	≈ 25,4 mm	Base height
E <sub>min</sub>	≈ 203,2 mm	Base hole distance 1 min
E <sub>max</sub>	≈ 225,425 mm	Base hole distance 1 max
S	2	# of mounting bolts
S	≈ 15,875 mm	Mounting bolt diameter
	S1BC-50MM-FL	Cartridge float bearing
	S1BC-50MM-HD	Cartridge held bearing
	S1C-200	Cartridge
G	≈ 95,25 mm	Length through bore
L	≈ 117,475 mm	Outside diameter cartridge
	≈ 90,673 kg	Grease capacity
	≈ 4,173 kg	Cartridge weight
	S1B-50MM-FL	Bearing float
	S1B-50MM-HD	Bearing held
	≈ 1,588 kg	Bearing weight
	200 Grp	Housing group
C <sub>r</sub>	≈ 80.775,68 N	Capacidad de carga dinámica, radial
C <sub>0r</sub>	≈ 99.346,08 N	Capacidad de carga estática, radial
C <sub>a</sub>	≈ 1.441,152 N	Capacidad de carga dinámica, axial
	4.456 1/min	Limiting speed
D <sub>0</sub>	≈ 98,425 mm	Outside diameter bearing
C <sub>0</sub>	≈ 55,677 mm	Width inner ring
B <sub>0</sub>	≈ 25,4 mm	Width outer ring





Ver detalles del producto en Medias

13.11.2025, 06:44:34 UTC

SCHAEFFLER

