



FAG

S1BCH-1015-FL [↗](#)

Soporte de apoyo

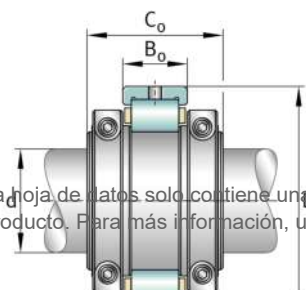
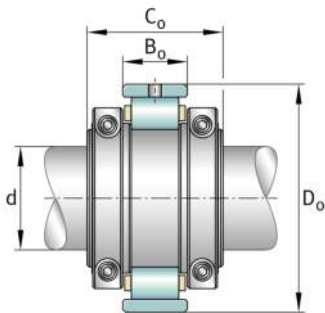
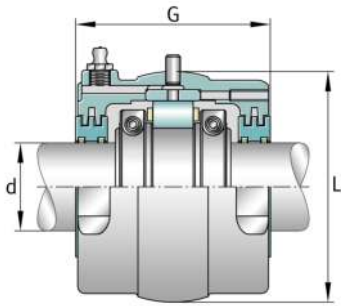
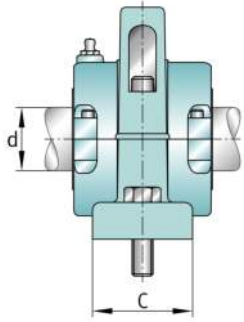
FAG split cylindrical roller bearing housing

Información técnica



Medidas principales y datos de rendimiento

d	10 ¹⁵ / ₁₆ in	Shaft diameter
B	28 ¹ / ₂ in	Length base
H	24 ¹ / ₂ in	Housing height
≈m	604,998 lbs	Peso



Medidas

	S1BCH-1015-FL	Complete unit float
	S1BCH-1015-HD	Complete unit held
	PH-16	Housing designation
A	12 1/4 in	Center height
C	9 0/1 in	Base width
D	1 7/8 in	Base height
E min	20 1/4 in	Base hole distance 1 min
E max	21 3/4 in	Base hole distance 1 max
F	5 1/2 in	Base hole distance 2
S	4	# of mounting bolts
S	1 1/4 in	Mounting bolt diameter
	S1BC-1015-FL	Cartridge float bearing
	S1BC-1015-HD	Cartridge held bearing
	S1C-1100	Cartridge
G	9 1/8 in	Length through bore
L	17 7/8 in	Outside diameter cartridge
	4,2 lbs	Grease capacity
	278,9 lbs	Cartridge weight
	S1B-1015-FL	Bearing float
	S1B-1015-HD	Bearing held
	100 lbs	Bearing weight
	1100 Grp	Housing group
C _r	155.438 lbf	Capacidad de carga dinámica, radial
C _{0r}	301.656 lbf	Capacidad de carga estática, radial
C _a	9.614 lbf	Capacidad de carga dinámica, axial
	990 1/min	Limiting speed
D ₀	16 0/1 in	Outside diameter bearing
	2 11/16 in	Width inner ring
B ₀	2 11/16 in	Width outer ring