



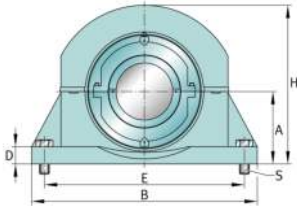
FAG

S1BCH-1115-HD [↗](#)

Soporte de apoyo

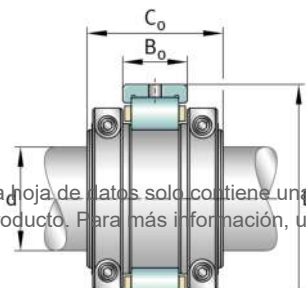
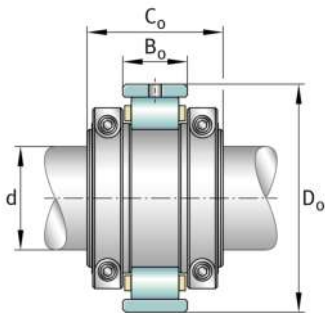
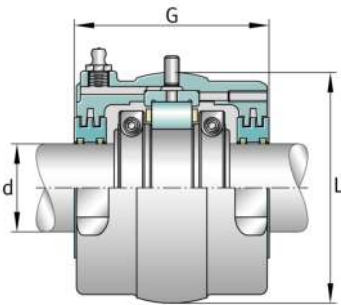
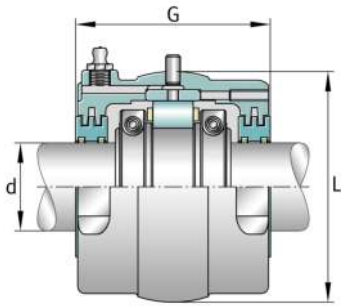
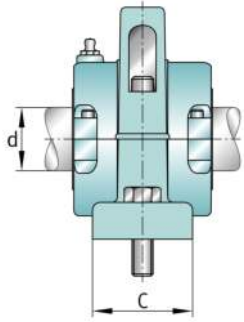
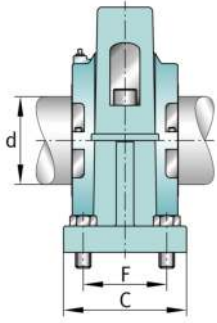
FAG split cylindrical roller bearing housing

Información técnica



Medidas principales y datos de rendimiento

| | | |
|----|-------------------------------------|----------------|
| d | 11 ¹⁵ / ₁₆ in | Shaft diameter |
| B | 30 ⁰ / ₁ in | Length base |
| H | 26 ³ / ₄ in | Housing height |
| ≈m | 741,998 lbs | Peso |



Medidas

| | | |
|-----------------|---------------|-------------------------------------|
| | S1BCH-1115-FL | Complete unit float |
| | S1BCH-1115-HD | Complete unit held |
| | PH-17 | Housing designation |
| A | 13 1/2 in | Center height |
| C | 10 0/1 in | Base width |
| D | 2 0/1 in | Base height |
| E min | 22 1/4 in | Base hole distance 1 min |
| E max | 23 3/4 in | Base hole distance 1 max |
| F | 7 0/1 in | Base hole distance 2 |
| S | 4 | # of mounting bolts |
| S | 1 1/4 in | Mounting bolt diameter |
| | S1BC-1115-FL | Cartridge float bearing |
| | S1BC-1115-HD | Cartridge held bearing |
| | S1C-1200 | Cartridge |
| G | 9 3/4 in | Length through bore |
| L | 19 1/4 in | Outside diameter cartridge |
| | 4,4 lbs | Grease capacity |
| | 377,9 lbs | Cartridge weight |
| | S1B-1115-FL | Bearing float |
| | S1B-1115-HD | Bearing held |
| | 123 lbs | Bearing weight |
| | 1200 Grp | Housing group |
| C _r | 162.808 lbf | Capacidad de carga dinámica, radial |
| C _{0r} | 329.360 lbf | Capacidad de carga estática, radial |
| C _a | 9.678 lbf | Capacidad de carga dinámica, axial |
| | 915 1/min | Limiting speed |
| D ₀ | 17 1/4 in | Outside diameter bearing |
| | 5 5/8 in | Width inner ring |
| B ₀ | 2 15/16 in | Width outer ring |

La hoja de datos solo contiene una descripción general de los datos técnicos del producto seleccionado. Consulte la documentación adicional de este producto. Para más información, utilice el siguiente enlace en nuestra página web: [Formulario de contacto](#)