



**FAG**

## S1BCH-85MM-FL [↗](#)

Soporte de apoyo

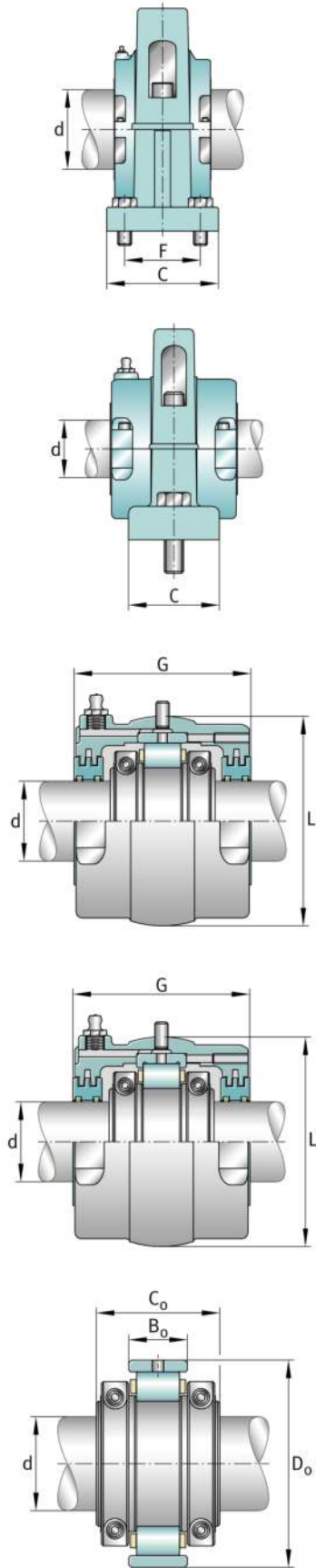
FAG split cylindrical roller bearing housing

### Información técnica



#### Medidas principales y datos de rendimiento

d	85 mm	Diámetro del eje
B	≈ 381 mm	Length base
H	≈ 255,587 mm	Housing height
≈m	29,166 kg	Peso



**Medidas**

	S1BCH-85MM-FL	Complete unit float
	S1BCH-85MM-HD	Complete unit held
	PH-5	Housing designation
A	≈ 111,919 mm	Center height
C	≈ 139,7 mm	Base width
D	≈ 44,45 mm	Base height
E <sub>min</sub>	≈ 314,325 mm	Base hole distance 1 min
E <sub>max</sub>	≈ 339,725 mm	Base hole distance 1 max
F	≈ 88,9 mm	Base hole distance 2
S	4	# of mounting bolts
S	≈ 19,05 mm	Mounting bolt diameter
	S1BC-85MM-FL	Cartridge float bearing
	S1BC-85MM-HD	Cartridge held bearing
	S1C-308	Cartridge
G	≈ 131,762 mm	Length through bore
L	≈ 177,8 mm	Outside diameter cartridge
	≈ 297,602 kg	Grease capacity
	≈ 11,567 kg	Cartridge weight
	S1B-85MM-FL	Bearing float
	S1B-85MM-HD	Bearing held
	≈ 4,173 kg	Bearing weight
	308 Grp	Housing group
C <sub>r</sub>	≈ 165.914,848 N	Capacidad de carga dinámica, radial
C <sub>0r</sub>	≈ 233.057,408 N	Capacidad de carga estática, radial
C <sub>a</sub>	≈ 2.001,6 N	Capacidad de carga dinámica, axial
	2.740 1/min	Limiting speed
D <sub>0</sub>	≈ 152,4 mm	Outside diameter bearing
C <sub>0</sub>	≈ 70,637 mm	Width inner ring
B <sub>0</sub>	≈ 38,887 mm	Width outer ring



Ver detalles del producto en Medias

13.11.2025, 06:35:05 UTC

SCHAEFFLER

