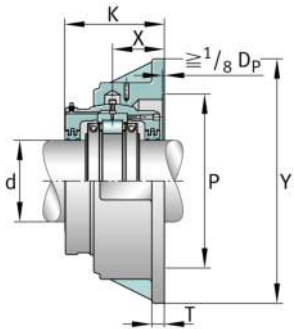
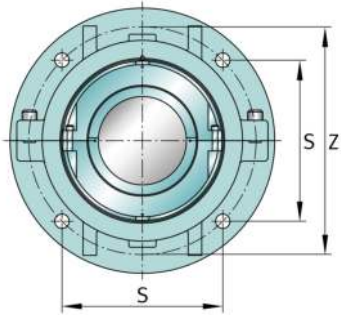


**FAG****S2BCF-303-HD**

Soporte de apoyo

Soporte-bridá

## Información técnica

**Medidas principales y datos de rendimiento**

d	≈ 80,962 mm	Shaft diameter
Y	≈ 355,6 mm	Flange outside diameter
K	≈ 158,75 mm	Width
≈m	43,545 kg	Peso

**Medidas**

	S2BCF-303-HD	Complete unit held
	S2BCF-303-FL	Complete unit float
	FH-6	Housing designation
X	≈ 85,725 mm	Bearing centerline location
Z	≈ 301,625 mm	Bolt circle diameter
S	≈ 212,725 mm	Bolt hole distance
T	≈ 19,05 mm	Thickness of flange
P	≈ 244,475 mm	Pilot counterbore diameter
S	4	# of Mounting Bolts
S	≈ 15,875 mm	Mounting bolt diameter