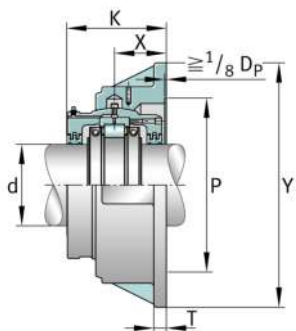
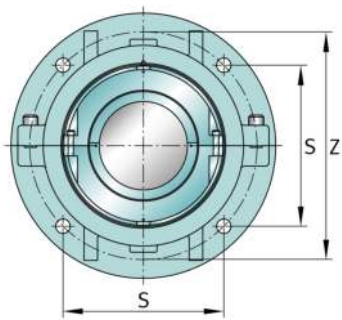


**FAG****S2BCF-808-HD**

Soporte de apoyo

Soporte-brid

Información técnica

**Medidas principales y datos de rendimiento**

d	≈ 215,9 mm	Shaft diameter
Y	≈ 711,2 mm	Flange outside diameter
K	≈ 282,575 mm	Width
≈m	349,719 kg	Peso

Medidas

	S2BCF-808-HD	Complete unit held
	S2BCF-808-FL	Complete unit float
	FH-25	Housing designation
X	≈ 146,05 mm	Bearing centerline location
Z	≈ 619,125 mm	Bolt circle diameter
S	≈ 438,15 mm	Bolt hole distance
T	≈ 34,925 mm	Thickness of flange
P	≈ 527,05 mm	Pilot counterbore diameter
S	4	# of Mounting Bolts
S	≈ 38,1 mm	Mounting bolt diameter