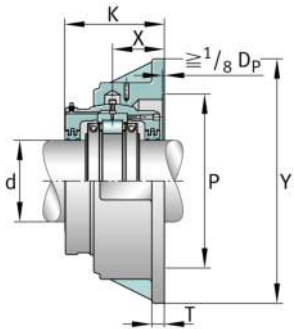
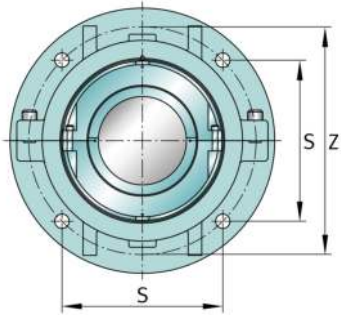


**FAG****S2BCF-200MM-FL**

Soporte de apoyo

Soporte-brida

Información técnica

**Medidas principales y datos de rendimiento**

d	200 mm	Diámetro del eje
Y	≈ 647,7 mm	Flange outside diameter
K	≈ 263,525 mm	Width
≈m	319,329 kg	Peso

Medidas

	S2BCF-200MM-HD	Complete unit held
	S2BCF-200MM-FL	Complete unit float
	FH-24	Housing designation
X	≈ 136,525 mm	Bearing centerline location
Z	≈ 571,5 mm	Bolt circle diameter
S	≈ 401,637 mm	Bolt hole distance
T	≈ 31,75 mm	Thickness of flange
P	≈ 492,125 mm	Pilot counterbore diameter
S	4	# of Mounting Bolts
S	≈ 31,75 mm	Mounting bolt diameter