



FAG

S1BCH-111-FL [↗](#)

Soporte de apoyo

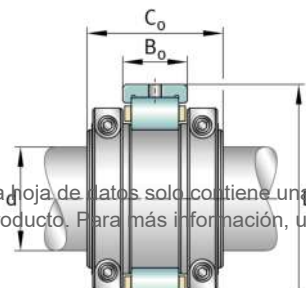
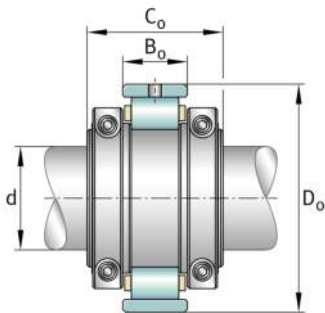
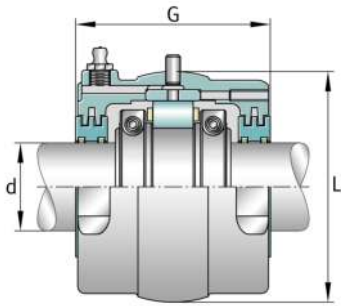
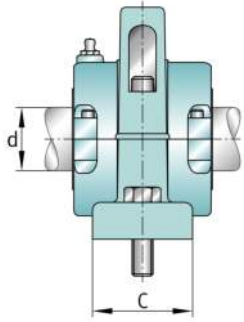
FAG split cylindrical roller bearing housing

Información técnica



Medidas principales y datos de rendimiento

d	1 11/16 in	Shaft diameter
B	10 5/8 in	Length base
H	6 1/4 in	Housing height
≈m	18,499 lbs	Peso



Medidas

	S1BCH-111-FL	Complete unit float
	S1BCH-111-HD	Complete unit held
	PH-2	Housing designation
A	2 ³ / ₄ in	Center height
C	2 ³ / ₈ in	Base width
D	1 ⁰ / ₁ in	Base height
E _{min}	8 ⁰ / ₁ in	Base hole distance 1 min
E _{max}	8 ⁷ / ₈ in	Base hole distance 1 max
S	2	# of mounting bolts
S	5/8 in	Mounting bolt diameter
	S1BC-111-FL	Cartridge float bearing
	S1BC-111-HD	Cartridge held bearing
	S1C-200	Cartridge
G	3 ³ / ₄ in	Length through bore
L	4 ⁵ / ₈ in	Outside diameter cartridge
	199,9 lbs	Grease capacity
	9,2 lbs	Cartridge weight
	S1B-111-FL	Bearing float
	S1B-111-HD	Bearing held
	3,5 lbs	Bearing weight
	200 Grp	Housing group
C _r	18.160 lbf	Capacidad de carga dinámica, radial
C _{0r}	22.335 lbf	Capacidad de carga estática, radial
C _a	324 lbf	Capacidad de carga dinámica, axial
	4.456 1/min	Limiting speed
D ₀	3 ⁷ / ₈ in	Outside diameter bearing
C ₀	2 ³ / ₁₆ in	Width inner ring