



FAG

S3BCH-800-FL [↗](#)

Soporte de apoyo

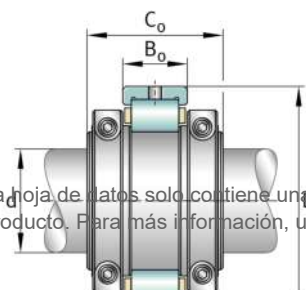
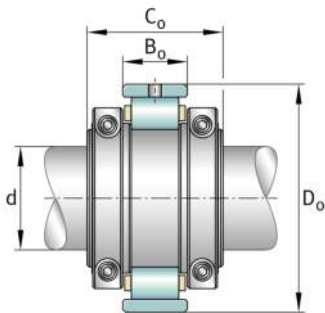
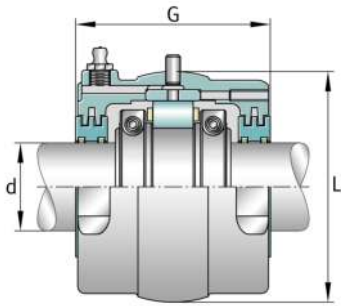
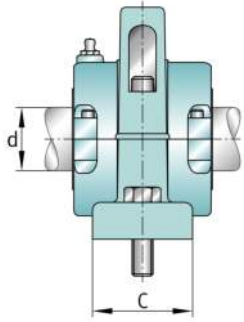
FAG split cylindrical roller bearing housing

Información técnica



Medidas principales y datos de rendimiento

| | | |
|----|-----------------------------------|----------------|
| d | 8 ⁰ / ₁ in | Shaft diameter |
| H | 25 ³ / ₄ in | Housing height |
| B | 33 ⁰ / ₁ in | Length base |
| ≈m | 1.188,998 lbs | Peso |



Medidas

| | | |
|-----------------|--------------|-------------------------------------|
| | S3BCH-800-FL | Complete unit float |
| | S3BCH-800-HD | Complete unit held |
| | PH-313 | Housing designation |
| A | 12 1/4 in | Center height |
| C | 10 1/2 in | Base width |
| D | 2 5/8 in | Base height |
| E min | 24 1/4 in | Base hole distance 1 min |
| E max | 25 3/4 in | Base hole distance 1 max |
| F | 6 3/4 in | Base hole distance 2 |
| s | 4 | # of mounting bolts |
| s | 1 1/2 in | Mounting bolt diameter |
| | S3BC-800-FL | Cartridge float bearing |
| | S3BC-800-HD | Cartridge held bearing |
| | S3C-800 | Cartridge |
| G | 11 13/16 in | Length through bore |
| L | 19 1/4 in | Outside diameter cartridge |
| | 12 lbs | Grease capacity |
| | 514 lbs | Cartridge weight |
| | S3B-800-FL | Bearing float |
| | S3B-800-HD | Bearing held |
| | 244 lbs | Bearing weight |
| | 800 Grp | Bearing Group |
| C _r | 296.243 lbf | Capacidad de carga dinámica, radial |
| C _{0r} | 461.718 lbf | Capacidad de carga estática, radial |
| C _a | 16.948 lbf | Capacidad de carga dinámica, axial |
| | 1.105 1/min | Limiting speed |
| D ₀ | 16 1/2 in | Outside diameter bearing |
| | 7 1/2 in | Width inner ring |
| B ₀ | 4 5/8 in | Width outer ring |

La hoja de datos solo contiene una descripción general de los datos técnicos del producto seleccionado. Consulte la documentación adicional de este producto. Para más información, utilice el siguiente enlace en nuestra página web: [Formulario de contacto](#)