



FAG

S1BCH-203-HD [↗](#)

Soporte de apoyo

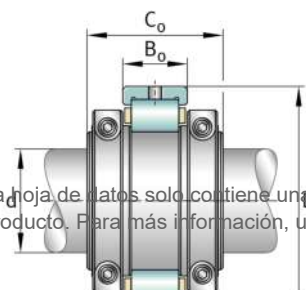
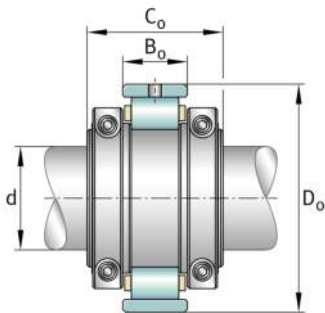
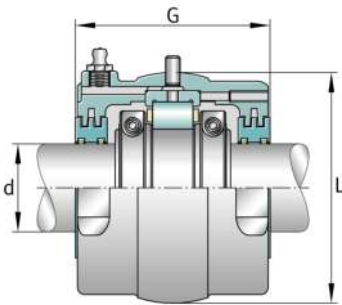
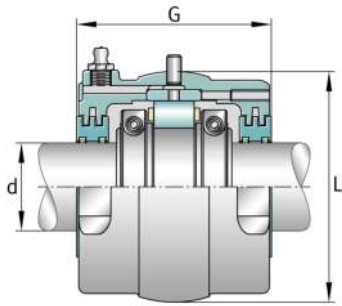
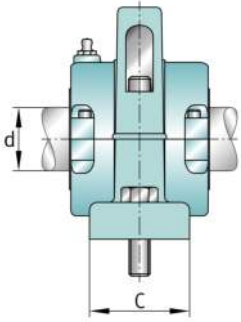
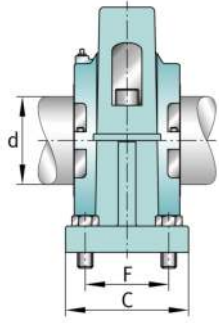
FAG split cylindrical roller bearing housing

Información técnica



Medidas principales y datos de rendimiento

d	2 ³ / ₁₆ in	Shaft diameter
B	11 ⁰ / ₁ in	Length base
H	7 ⁰ / ₁ in	Housing height
≈m	25,399 lbs	Peso



Medidas

	S1BCH-203-FL	Complete unit float
	S1BCH-203-HD	Complete unit held
	PH-3	Housing designation
A	3 1/8 in	Center height
C	2 3/4 in	Base width
D	1 1/4 in	Base height
E min	8 7/8 in	Base hole distance 1 min
E max	9 1/2 in	Base hole distance 1 max
S	2	# of mounting bolts
S	3/4 in	Mounting bolt diameter
	S1BC-203-FL	Cartridge float bearing
	S1BC-203-HD	Cartridge held bearing
	S1C-208	Cartridge
G	4 0/1 in	Length through bore
L	5 5/16 in	Outside diameter cartridge
	324,9 lbs	Grease capacity
	11,6 lbs	Cartridge weight
	S1B-203-FL	Bearing float
	S1B-203-HD	Bearing held
	3,5 lbs	Bearing weight
	208 Grp	Housing group
C r	20.119 lbf	Capacidad de carga dinámica, radial
C 0r	24.685 lbf	Capacidad de carga estática, radial
C a	349 lbf	Capacidad de carga dinámica, axial
	3.750 1/min	Limiting speed
D 0	4 1/2 in	Outside diameter bearing
C 0	2 3/16 in	Width inner ring