



FAG

S1BCH-1300-FL [↗](#)

Soporte de apoyo

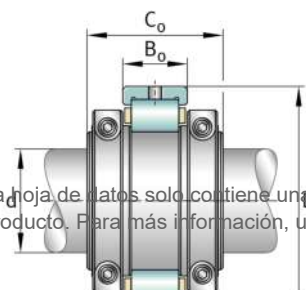
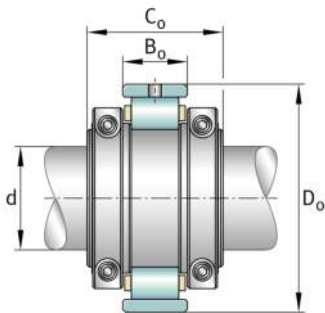
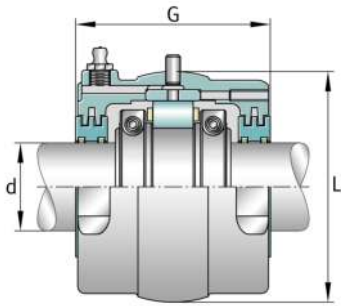
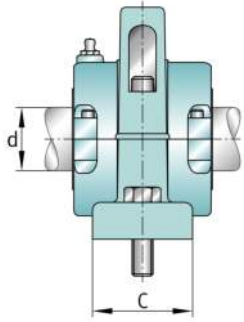
FAG split cylindrical roller bearing housing

Información técnica



Medidas principales y datos de rendimiento

d	13 ⁰ / ₁ in	Shaft diameter
B	32 ⁰ / ₁ in	Length base
H	29 ⁰ / ₁ in	Housing height
≈m	919,999 lbs	Peso



Medidas

	S1BCH-1300-FL	Complete unit float
	S1BCH-1300-HD	Complete unit held
	PH-18	Housing designation
A	14 1/2 in	Center height
C	10 0/1 in	Base width
D	2 1/8 in	Base height
E min	23 3/4 in	Base hole distance 1 min
E max	25 1/4 in	Base hole distance 1 max
F	7 0/1 in	Base hole distance 2
S	4	# of mounting bolts
S	1 1/2 in	Mounting bolt diameter
	S1BC-1300-FL	Cartridge float bearing
	S1BC-1300-HD	Cartridge held bearing
	S1C-1300	Cartridge
G	11 3/4 in	Length through bore
L	20 3/4 in	Outside diameter cartridge
	6 lbs	Grease capacity
	440,9 lbs	Cartridge weight
	S1B-1300-FL	Bearing float
	S1B-1300-HD	Bearing held
	126 lbs	Bearing weight
	1300 Grp	Housing group
C _r	176.629 lbf	Capacidad de carga dinámica, radial
C _{0r}	360.937 lbf	Capacidad de carga estática, radial
C _a	10.005 lbf	Capacidad de carga dinámica, axial
	856 1/min	Limiting speed
D ₀	18 1/4 in	Outside diameter bearing
	8 3/4 in	Width inner ring
B ₀	2 7/8 in	Width outer ring