



**FAG**

## S1BCH-35MM-FL [↗](#)

Soporte de apoyo

FAG split cylindrical roller bearing housing

### Información técnica



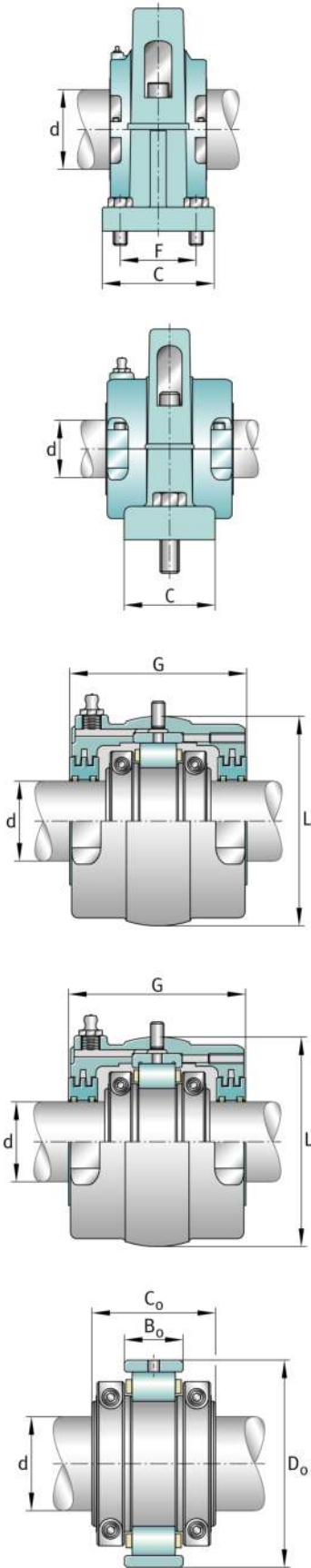
#### Medidas principales y datos de rendimiento

d	35 mm	Diámetro del eje
B	≈ 228,6 mm	Length base
H	≈ 139,7 mm	Housing height
≈m	5,012 kg	Peso



**Medidas**

	S1BCH-35MM-FL	Complete unit float
	S1BCH-35MM-HD	Complete unit held
	PH-1	Housing designation
A	≈ 60,325 mm	Center height
C	≈ 60,325 mm	Base width
D	≈ 22,225 mm	Base height
E <sub>min</sub>	≈ 171,45 mm	Base hole distance 1 min
E <sub>max</sub>	≈ 190,5 mm	Base hole distance 1 max
S	2	# of mounting bolts
S	≈ 12,7 mm	Mounting bolt diameter
	S1BC-35MM-FL	Cartridge float bearing
	S1BC-35MM-HD	Cartridge held bearing
	S1C-108	Cartridge
G	≈ 84,137 mm	Length through bore
L	≈ 100,012 mm	Outside diameter cartridge
	≈ 56,654 kg	Grease capacity
	≈ 3,13 kg	Cartridge weight
	S1B-35MM-FL	Bearing float
	S1B-35MM-HD	Bearing held
	≈ 1,043 kg	Bearing weight
	108 Grp	Housing group
C <sub>r</sub>	≈ 61.280,096 N	Capacidad de carga dinámica, radial
C <sub>0r</sub>	≈ 68.748,288 N	Capacidad de carga estática, radial
C <sub>a</sub>	≈ 1.258,784 N	Capacidad de carga dinámica, axial
	5.420 1/min	Limiting speed
D <sub>0</sub>	≈ 84,15 mm	Outside diameter bearing
C <sub>0</sub>	≈ 50,089 mm	Width inner ring
B <sub>0</sub>	≈ 23,825 mm	Width outer ring





Ver detalles del producto en Medias

13.11.2025, 06:48:32 UTC

SCHAEFFLER

