



**FAG**

## S2BCH-65MM-FL [↗](#)

Soporte de apoyo

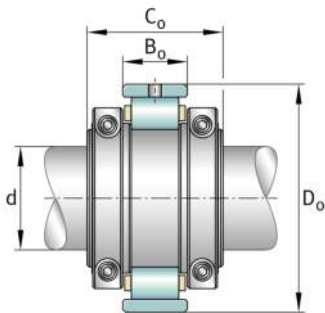
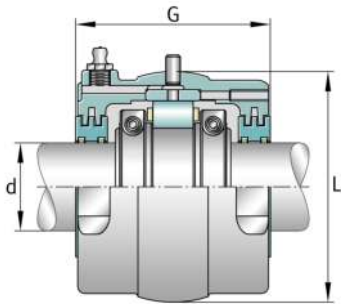
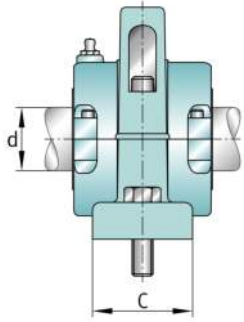
FAG split cylindrical roller bearing housing

### Información técnica



#### Medidas principales y datos de rendimiento

d	65 mm	Diámetro del eje
H	≈ 200,025 mm	Housing height
B	≈ 330,2 mm	Length base
≈m	17,69 kg	Peso

**Medidas**

	S2BCH-65MM-FL	Complete unit float
	S2BCH-65MM-HD	Complete unit held
	PH-4	Housing designation
A	≈ 95,25 mm	Center height
C	≈ 76,2 mm	Base width
D	≈ 38,1 mm	Base height
E <sub>min</sub>	≈ 260,35 mm	Base hole distance 1 min
E <sub>min</sub>	≈ 279,4 mm	Base hole distance 1 max
s	2	# of mounting bolts
s	≈ 19,05 mm	Mounting bolt diameter
	S2BC-65MM-FL	Cartridge float bearing
	S2BC-65MM-HD	Cartridge held bearing
	S2C-208	Cartridge
G	≈ 125,412 mm	Length through bore
L	≈ 157,162 mm	Outside diameter cartridge
	≈ 215,411 kg	Grease capacity
	≈ 10,977 kg	Cartridge weight
	S2B-65MM-FL	Bearing float
	S2B-65MM-HD	Bearing held
	≈ 3,493 kg	Bearing weight
	208 Grp	Bearing group
C <sub>r</sub>	≈ 149.430,56 N	Capacidad de carga dinámica, radial
C <sub>0r</sub>	≈ 190.725,792 N	Capacidad de carga estática, radial
C <sub>a</sub>	≈ 2.103,904 N	Capacidad de carga dinámica, axial
	3.450 1/min	Limiting speed
D <sub>0</sub>	≈ 127 mm	Outside diameter bearing
C <sub>0</sub>	≈ 72,238 mm	Width inner ring
B <sub>0</sub>	≈ 38,887 mm	Width outer ring



Ver detalles del producto en Medias

13.11.2025, 06:47:01 UTC

SCHAEFFLER

