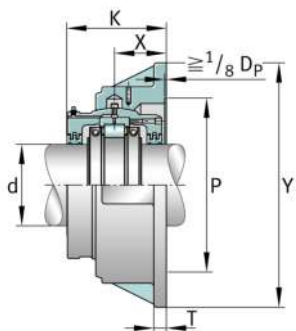
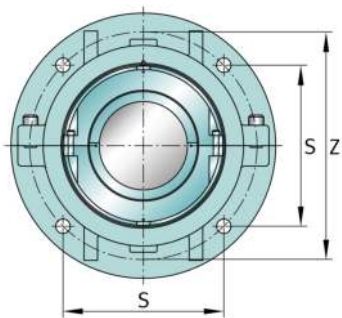


**FAG****S2BCF-60MM-FL**

Soporte de apoyo

Soporte-brida

Información técnica

**Medidas principales y datos de rendimiento**

| | | |
|----|--------------|-------------------------|
| d | 60 mm | Diámetro del eje |
| Y | ≈ 285,75 mm | Flange outside diameter |
| K | ≈ 136,525 mm | Width |
| ≈m | 22,226 kg | Peso |

Medidas

| | | |
|---|---------------|-----------------------------|
| | S2BCF-60MM-HD | Complete unit held |
| | S2BCF-60MM-FL | Complete unit float |
| | FH-4 | Housing designation |
| X | ≈ 73,025 mm | Bearing centerline location |
| Z | ≈ 242,887 mm | Bolt circle diameter |
| S | ≈ 171,45 mm | Bolt hole distance |
| T | ≈ 15,875 mm | Thickness of flange |
| P | ≈ 192,087 mm | Pilot counterbore diameter |
| S | 4 | # of Mounting Bolts |
| S | ≈ 12,7 mm | Mounting bolt diameter |