



FAG

S1BCH-211-HD [↗](#)

Soporte de apoyo

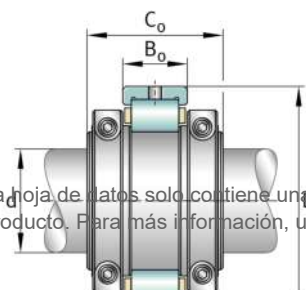
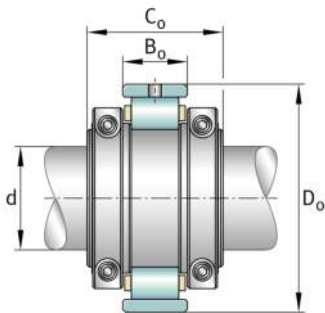
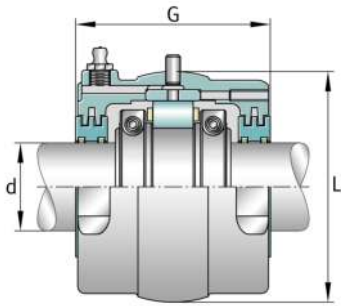
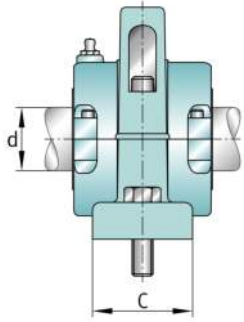
FAG split cylindrical roller bearing housing

Información técnica



Medidas principales y datos de rendimiento

d	2 ¹¹ / ₁₆ in	Shaft diameter
B	13 ⁰ / ₁ in	Length base
H	7 ⁷ / ₈ in	Housing height
≈m	33,001 lbs	Peso



Medidas

	S1BCH-211-FL	Complete unit float
	S1BCH-211-HD	Complete unit held
	PH-4	Housing designation
A	3 3/4 in	Center height
C	3 0/1 in	Base width
D	1 1/2 in	Base height
E min	10 1/4 in	Base hole distance 1 min
E max	11 0/1 in	Base hole distance 1 max
S	2	# of mounting bolts
S	3/4 in	Mounting bolt diameter
	S1BC-211-FL	Cartridge float bearing
	S1BC-211-HD	Cartridge held bearing
	S1C-300	Cartridge
G	4 3/8 in	Length through bore
L	6 3/16 in	Outside diameter cartridge
	387,4 lbs	Grease capacity
	18,5 lbs	Cartridge weight
	S1B-211-FL	Bearing float
	S1B-211-HD	Bearing held
	6 lbs	Bearing weight
	300 Grp	Housing group
C r	29.643 lbf	Capacidad de carga dinámica, radial
C 0r	39.809 lbf	Capacidad de carga estática, radial
C a	430 lbf	Capacidad de carga dinámica, axial
	3.190 1/min	Limiting speed
D 0	5 1/4 in	Outside diameter bearing
C 0	2 3/8 in	Width inner ring