



FAG

S2BCH-203-HD [↗](#)

Soporte de apoyo

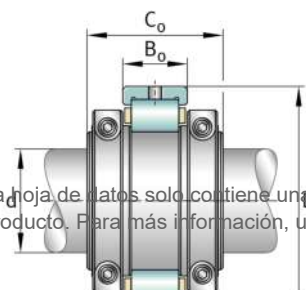
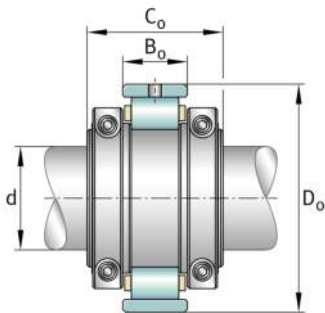
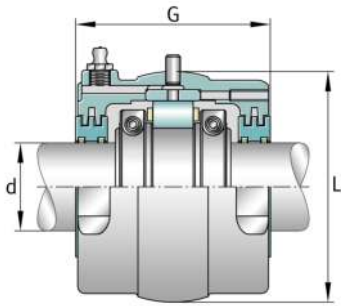
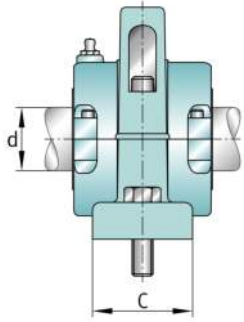
FAG split cylindrical roller bearing housing

Información técnica



Medidas principales y datos de rendimiento

d	2 ³ / ₁₆ in	Shaft diameter
H	7 ⁷ / ₈ in	Housing height
B	13 ⁰ / ₁ in	Length base
≈m	39 lbs	Peso



Medidas

	S2BCH-203-FL	Complete unit float
	S2BCH-203-HD	Complete unit held
	PH-4	Housing designation
A	3 3/4 in	Center height
C	3 0/1 in	Base width
D	1 1/2 in	Base height
E min	10 1/4 in	Base hole distance 1 min
E min	11 0/1 in	Base hole distance 1 max
s	2	# of mounting bolts
s	3/4 in	Mounting bolt diameter
	S2BC-203-FL	Cartridge float bearing
	S2BC-203-HD	Cartridge held bearing
	S2C-208	Cartridge
G	4 15/16 in	Length through bore
L	6 3/16 in	Outside diameter cartridge
	474,9 lbs	Grease capacity
	24,2 lbs	Cartridge weight
	S2B-203-FL	Bearing float
	S2B-203-HD	Bearing held
	7,7 lbs	Bearing weight
	208 Grp	Bearing group
C r	33.595 lbf	Capacidad de carga dinámica, radial
C 0r	42.879 lbf	Capacidad de carga estática, radial
C a	473 lbf	Capacidad de carga dinámica, axial
	3.450 1/min	Limiting speed
D 0	5 0/1 in	Outside diameter bearing
C 0	2 13/16 in	Width inner ring