



**FAG**

## S1BCH-915-FL [↗](#)

Soporte de apoyo

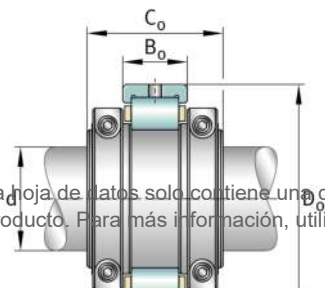
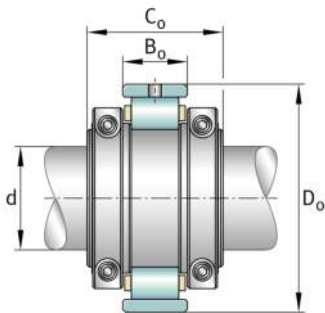
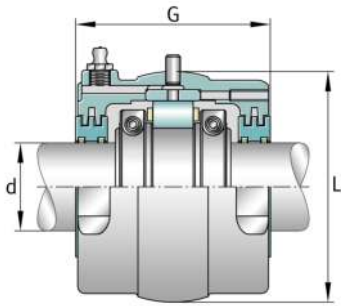
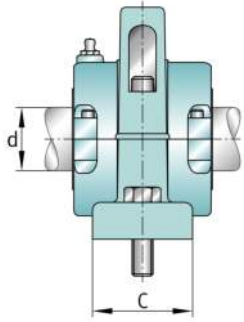
FAG split cylindrical roller bearing housing

### Información técnica



#### Medidas principales y datos de rendimiento

d	9 <sup>15</sup> / <sub>16</sub> in	Shaft diameter
B	27 <sup>0</sup> / <sub>1</sub> in	Length base
H	23 <sup>0</sup> / <sub>1</sub> in	Housing height
≈m	511,999 lbs	Peso



Medidas

	S1BCH-915-FL	Complete unit float
	S1BCH-915-HD	Complete unit held
	PH-15	Housing designation
A	11 1/2 in	Center height
C	9 0/1 in	Base width
D	1 3/4 in	Base height
E min	19 0/1 in	Base hole distance 1 min
E max	20 1/2 in	Base hole distance 1 max
F	5 1/2 in	Base hole distance 2
S	4	# of mounting bolts
S	1 1/4 in	Mounting bolt diameter
	S1BC-915-FL	Cartridge float bearing
	S1BC-915-HD	Cartridge held bearing
	S1C-1000	Cartridge
G	8 3/4 in	Length through bore
L	16 1/2 in	Outside diameter cartridge
	4,2 lbs	Grease capacity
	226,9 lbs	Cartridge weight
	S1B-915-FL	Bearing float
	S1B-915-HD	Bearing held
	82 lbs	Bearing weight
	1000 Grp	Housing group
C <sub>r</sub>	135.143 lbf	Capacidad de carga dinámica, radial
C <sub>0r</sub>	264.517 lbf	Capacidad de carga estática, radial
C <sub>a</sub>	9.218 lbf	Capacidad de carga dinámica, axial
	1.080 1/min	Limiting speed
D <sub>0</sub>	14 3/4 in	Outside diameter bearing
	2 5/8 in	Width inner ring
B <sub>0</sub>	2 5/8 in	Width outer ring