



**FAG**

## S1BCH-100MM-FL-2B [↗](#)

Soporte de apoyo

FAG split cylindrical roller bearing housing

### Información técnica



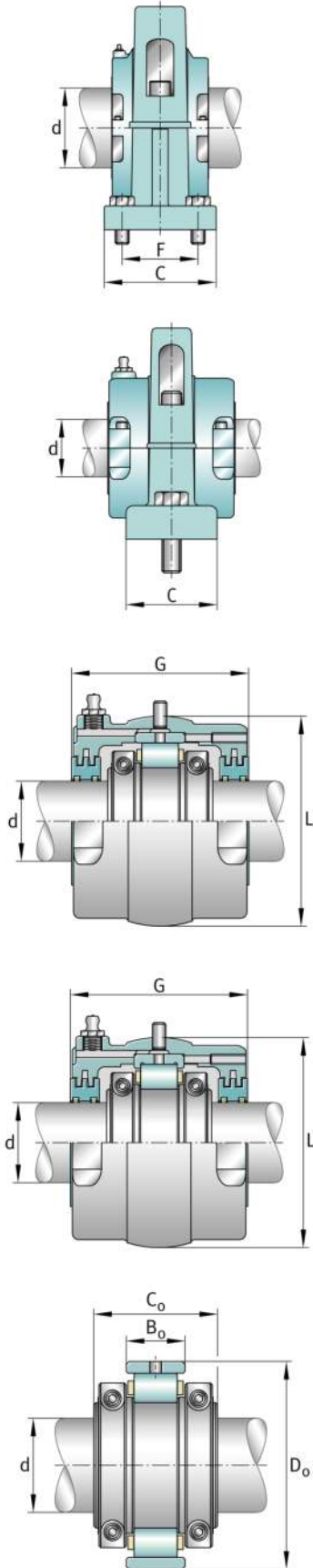
#### Medidas principales y datos de rendimiento

d	100 mm	Diámetro del eje
B	≈ 425,45 mm	Length base
H	≈ 273,05 mm	Housing height
≈m	34,11 kg	Peso



## Medidas

	S1BCH-100MM-FL-2B	Complete unit float
	S1BCH-100MM-HD-2B	Complete unit held
	PH-6-2B	Housing designation
A	≈ 125,412 mm	Center height
C	≈ 107,95 mm	Base width
D	≈ 50,8 mm	Base height
E <sub>min</sub>	≈ 342,9 mm	Base hole distance 1 min
E <sub>max</sub>	≈ 377,825 mm	Base hole distance 1 max
S	2	# of mounting bolts
S	≈ 19,05 mm	Mounting bolt diameter
	S1BC-100MM-FL	Cartridge float bearing
	S1BC-100MM-HD	Cartridge held bearing
	S1C-400	Cartridge
G	≈ 131,762 mm	Length through bore
L	≈ 203,2 mm	Outside diameter cartridge
	≈ 354,256 kg	Grease capacity
	≈ 14,651 kg	Cartridge weight
	S1B-100MM-FL	Bearing float
	S1B-100MM-HD	Bearing held
	≈ 6,305 kg	Bearing weight
	400 Grp	Housing group
C <sub>r</sub>	≈ 226.278,656 N	Capacidad de carga dinámica, radial
C <sub>0r</sub>	≈ 322.800,256 N	Capacidad de carga estática, radial
C <sub>a</sub>	≈ 2.437,504 N	Capacidad de carga dinámica, axial
	2.400 1/min	Limiting speed
D <sub>0</sub>	≈ 174,625 mm	Outside diameter bearing
C <sub>0</sub>	≈ 80,975 mm	Width inner ring
B <sub>0</sub>	≈ 45,237 mm	Width outer ring





Ver detalles del producto en Medias

13.11.2025, 10:45:11 UTC

SCHAEFFLER

