



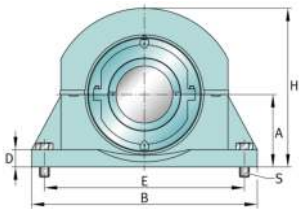
FAG

S2BCH-80MM-FL-2B [↗](#)

Soporte de apoyo

FAG split cylindrical roller bearing housing

Información técnica



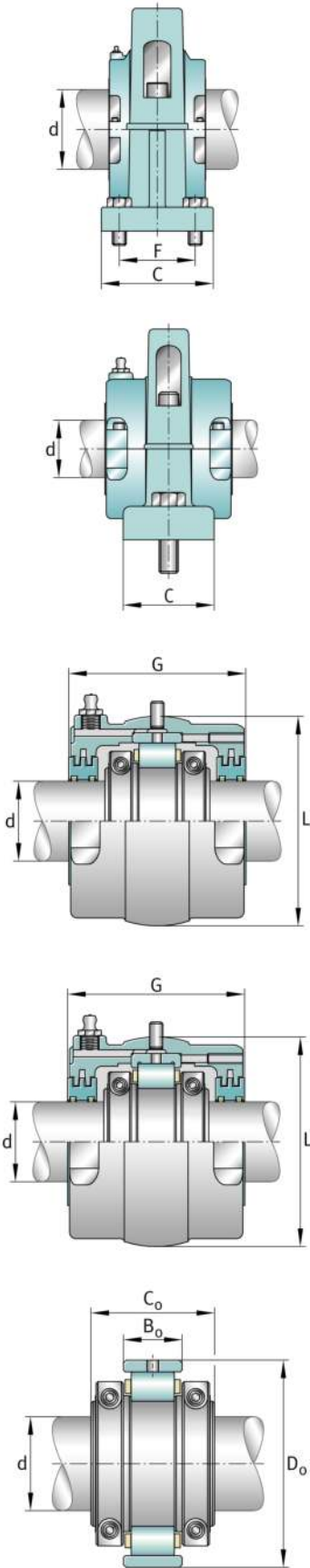
Medidas principales y datos de rendimiento

d	80 mm	Diámetro del eje
H	≈ 273,05 mm	Housing height
B	≈ 425,45 mm	Length base
≈m	35,924 kg	Peso



Medidas

	S2BCH-80MM-FL-2B	Complete unit float
	S2BCH-80MM-HD-2B	Complete unit held
	PH-6-2B	Housing designation
A	≈ 125,412 mm	Center height
C	≈ 107,95 mm	Base width
D	≈ 50,8 mm	Base height
E _{min}	≈ 342,9 mm	Base hole distance 1 min
E _{min}	≈ 377,825 mm	Base hole distance 1 max
s	4	# of mounting bolts
s	≈ 19,05 mm	Mounting bolt diameter
	S2BC-80MM-FL	Cartridge float bearing
	S2BC-80MM-HD	Cartridge held bearing
	S2C-308	Cartridge
G	≈ 146,05 mm	Length through bore
L	≈ 203,2 mm	Outside diameter cartridge
	≈ 0,499 kg	Grease capacity
	≈ 18,733 kg	Cartridge weight
	S2B-80MM-FL	Bearing float
	S2B-80MM-HD	Bearing held
	≈ 7,983 kg	Bearing weight
	308 Grp	Bearing group
C _r	≈ 255.564,288 N	Capacidad de carga dinámica, radial
C _{0r}	≈ 354.131,968 N	Capacidad de carga estática, radial
C _a	≈ 2.962,368 N	Capacidad de carga dinámica, axial
	2.550 1/min	Limiting speed
D ₀	≈ 169,875 mm	Outside diameter bearing
C ₀	≈ 89,611 mm	Width inner ring
B ₀	≈ 48,412 mm	Width outer ring





Ver detalles del producto en Medias

13.11.2025, 10:43:49 UTC

SCHAEFFLER

