



FAG

S1BCH-80MM-HD-2B [↗](#)

Soporte de apoyo

FAG split cylindrical roller bearing housing

Información técnica



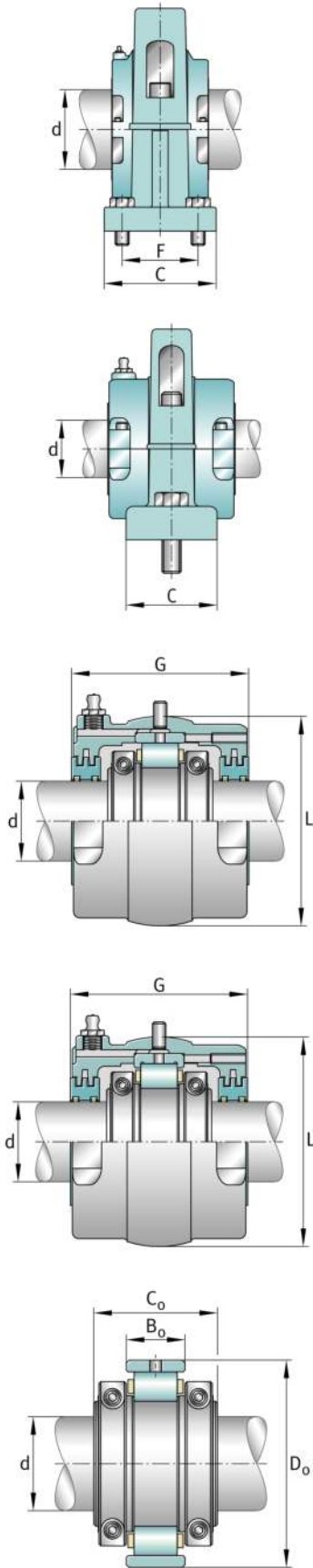
Medidas principales y datos de rendimiento

d	80 mm	Diámetro del eje
B	≈ 381 mm	Length base
H	≈ 255,587 mm	Housing height
≈m	26,308 kg	Peso



Medidas

	S1BCH-80MM-FL-2B	Complete unit float
	S1BCH-80MM-HD-2B	Complete unit held
	PH-5-2B	Housing designation
A	≈ 111,919 mm	Center height
C	≈ 88,9 mm	Base width
D	≈ 44,45 mm	Base height
E _{min}	≈ 309,563 mm	Base hole distance 1 min
E _{max}	≈ 334,962 mm	Base hole distance 1 max
S	2	# of mounting bolts
S	≈ 19,05 mm	Mounting bolt diameter
	S1BC-80MM-FL	Cartridge float bearing
	S1BC-80MM-HD	Cartridge held bearing
	S1C-308	Cartridge
G	≈ 131,762 mm	Length through bore
L	≈ 177,8 mm	Outside diameter cartridge
	≈ 297,602 kg	Grease capacity
	≈ 11,567 kg	Cartridge weight
	S1B-80MM-FL	Bearing float
	S1B-80MM-HD	Bearing held
	≈ 4,173 kg	Bearing weight
	308 Grp	Housing group
C _r	≈ 165.914,848 N	Capacidad de carga dinámica, radial
C _{0r}	≈ 233.057,408 N	Capacidad de carga estática, radial
C _a	≈ 2.001,6 N	Capacidad de carga dinámica, axial
	2.740 1/min	Limiting speed
D ₀	≈ 152,4 mm	Outside diameter bearing
C ₀	≈ 70,637 mm	Width inner ring
B ₀	≈ 38,887 mm	Width outer ring





Ver detalles del producto en Medias

13.11.2025, 10:42:06 UTC

SCHAEFFLER

