



**FAG**

## S2BCH-211-FL-2B [↗](#)

Soporte de apoyo

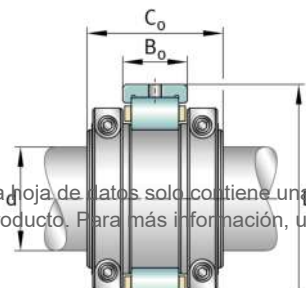
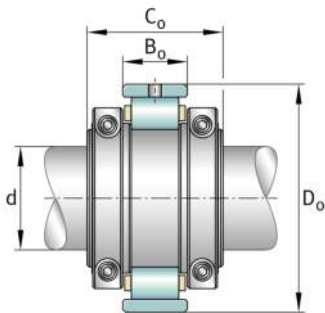
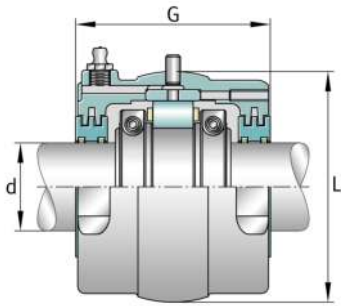
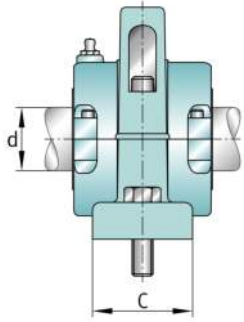
FAG split cylindrical roller bearing housing

### Información técnica



#### Medidas principales y datos de rendimiento

|    |                                    |                |
|----|------------------------------------|----------------|
| d  | 2 <sup>11</sup> / <sub>16</sub> in | Shaft diameter |
| H  | 10 <sup>1</sup> / <sub>16</sub> in | Housing height |
| B  | 15 <sup>0</sup> / <sub>1</sub> in  | Length base    |
| ≈m | 66,599 lbs                         | Peso           |



Medidas

|                 |                                    |                                     |
|-----------------|------------------------------------|-------------------------------------|
|                 | S2BCH-211-FL-2B                    | Complete unit float                 |
|                 | S2BCH-211-HD-2B                    | Complete unit held                  |
|                 | PH-5-2B                            | Housing designation                 |
| A               | 4 <sup>3</sup> / <sub>8</sub> in   | Center height                       |
| C               | 3 <sup>1</sup> / <sub>2</sub> in   | Base width                          |
| D               | 1 <sup>3</sup> / <sub>4</sub> in   | Base height                         |
| E min           | 12 <sup>3</sup> / <sub>16</sub> in | Base hole distance 1 min            |
| E min           | 13 <sup>3</sup> / <sub>16</sub> in | Base hole distance 1 max            |
| s               | 2                                  | # of mounting bolts                 |
| s               | <sup>3</sup> / <sub>4</sub> in     | Mounting bolt diameter              |
|                 | S2BC-211-FL                        | Cartridge float bearing             |
|                 | S2BC-211-HD                        | Cartridge held bearing              |
|                 | S2C-300                            | Cartridge                           |
| G               | 5 <sup>1</sup> / <sub>2</sub> in   | Length through bore                 |
| L               | 7 <sup>0</sup> / <sub>1</sub> in   | Outside diameter cartridge          |
|                 | 656,1 lbs                          | Grease capacity                     |
|                 | 34 lbs                             | Cartridge weight                    |
|                 | S2B-211-FL                         | Bearing float                       |
|                 | S2B-211-HD                         | Bearing held                        |
|                 | 12,1 lbs                           | Bearing weight                      |
|                 | 300 Grp                            | Bearing group                       |
| C <sub>r</sub>  | 45.440 lbf                         | Capacidad de carga dinámica, radial |
| C <sub>0r</sub> | 59.277 lbf                         | Capacidad de carga estática, radial |
| C <sub>a</sub>  | 561 lbf                            | Capacidad de carga dinámica, axial  |
|                 | 2.930 1/min                        | Limiting speed                      |
| D <sub>0</sub>  | 5 <sup>7</sup> / <sub>8</sub> in   | Outside diameter bearing            |
| C <sub>0</sub>  | 3 <sup>1</sup> / <sub>4</sub> in   | Width inner ring                    |