



FAG

## S1BCH-312-FL-2B

Soporte de apoyo

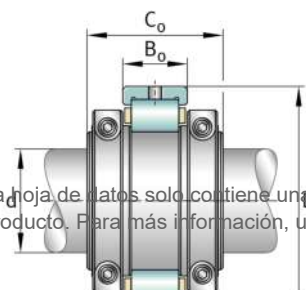
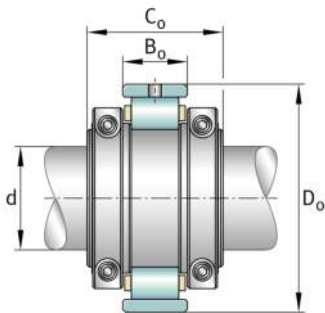
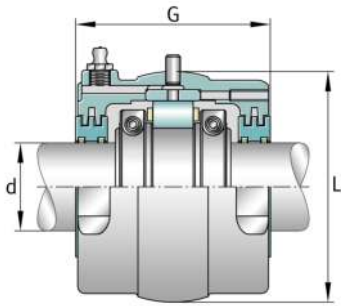
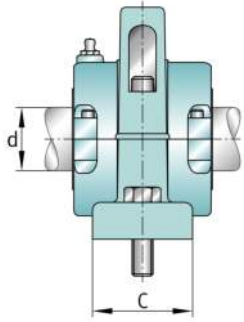
FAG split cylindrical roller bearing housing

### Información técnica



#### Medidas principales y datos de rendimiento

d	3 <sup>3</sup> / <sub>4</sub> in	Shaft diameter
B	16 <sup>3</sup> / <sub>4</sub> in	Length base
H	10 <sup>3</sup> / <sub>4</sub> in	Housing height
≈m	75,2 lbs	Peso



**Medidas**

	S1BCH-312-FL-2B	Complete unit float
	S1BCH-312-HD-2B	Complete unit held
	PH-6-2B	Housing designation
A	4 15/16 in	Center height
C	4 1/4 in	Base width
D	2 0/1 in	Base height
E min	13 1/2 in	Base hole distance 1 min
E max	14 7/8 in	Base hole distance 1 max
S	2	# of mounting bolts
S	3/4 in	Mounting bolt diameter
	S1BC-312-FL	Cartridge float bearing
	S1BC-312-HD	Cartridge held bearing
	S1C-400	Cartridge
G	5 3/16 in	Length through bore
L	8 0/1 in	Outside diameter cartridge
	781 lbs	Grease capacity
	32,3 lbs	Cartridge weight
	S1B-312-FL	Bearing float
	S1B-312-HD	Bearing held
	13,9 lbs	Bearing weight
	400 Grp	Housing group
C <sub>r</sub>	50.872 lbf	Capacidad de carga dinámica, radial
C <sub>0r</sub>	72.572 lbf	Capacidad de carga estática, radial
C <sub>a</sub>	548 lbf	Capacidad de carga dinámica, axial
	2.400 1/min	Limiting speed
D <sub>0</sub>	6 7/8 in	Outside diameter bearing
C <sub>0</sub>	3 3/16 in	Width inner ring