



**FAG**

## S2BCH-303-FL-2B

Soporte de apoyo

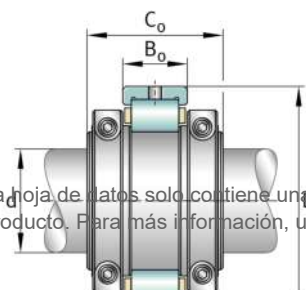
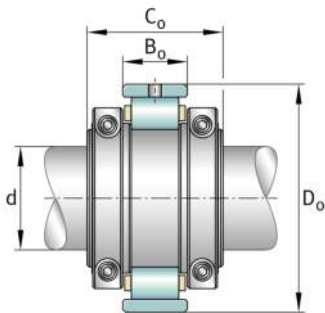
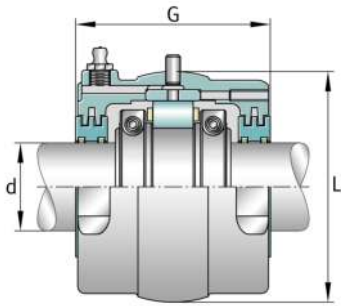
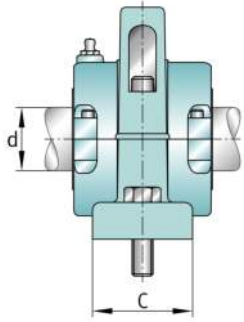
FAG split cylindrical roller bearing housing

### Información técnica



#### Medidas principales y datos de rendimiento

d	3 <sup>3</sup> / <sub>16</sub> in	Shaft diameter
H	10 <sup>3</sup> / <sub>4</sub> in	Housing height
B	16 <sup>3</sup> / <sub>4</sub> in	Length base
≈m	79,199 lbs	Peso



Medidas

	S2BCH-303-FL-2B	Complete unit float
	S2BCH-303-HD-2B	Complete unit held
	PH-6-2B	Housing designation
A	4 15/16 in	Center height
C	4 1/4 in	Base width
D	2 0/1 in	Base height
E min	13 1/2 in	Base hole distance 1 min
E min	14 7/8 in	Base hole distance 1 max
s	2	# of mounting bolts
s	3/4 in	Mounting bolt diameter
	S2BC-303-FL	Cartridge float bearing
	S2BC-303-HD	Cartridge held bearing
	S2C-308	Cartridge
G	5 3/4 in	Length through bore
L	8 0/1 in	Outside diameter cartridge
	1,1 lbs	Grease capacity
	41,3 lbs	Cartridge weight
	S2B-303-FL	Bearing float
	S2B-303-HD	Bearing held
	17,6 lbs	Bearing weight
	308 Grp	Bearing group
C <sub>r</sub>	57.456 lbf	Capacidad de carga dinámica, radial
C <sub>0r</sub>	79.616 lbf	Capacidad de carga estática, radial
C <sub>a</sub>	666 lbf	Capacidad de carga dinámica, axial
	2.550 1/min	Limiting speed
D <sub>0</sub>	6 11/16 in	Outside diameter bearing
C <sub>0</sub>	3 1/2 in	Width inner ring