



**FAG**

## S1BCH-307-FL-2B

Soporte de apoyo

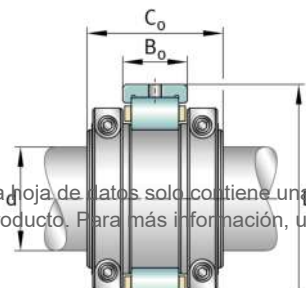
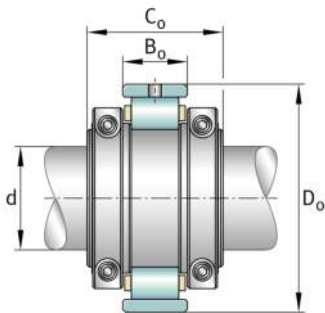
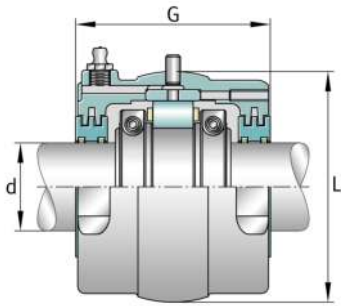
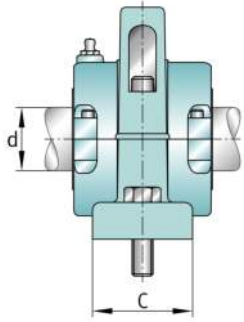
FAG split cylindrical roller bearing housing

### Información técnica



#### Medidas principales y datos de rendimiento

d	3 <sup>7</sup> / <sub>16</sub> in	Shaft diameter
B	15 <sup>0</sup> / <sub>1</sub> in	Length base
H	10 <sup>1</sup> / <sub>16</sub> in	Housing height
≈m	57,999 lbs	Peso



**Medidas**

	S1BCH-307-FL-2B	Complete unit float
	S1BCH-307-HD-2B	Complete unit held
	PH-5-2B	Housing designation
A	4 <sup>3</sup> / <sub>8</sub> in	Center height
C	3 <sup>1</sup> / <sub>2</sub> in	Base width
D	1 <sup>3</sup> / <sub>4</sub> in	Base height
E <sub>min</sub>	12 <sup>3</sup> / <sub>16</sub> in	Base hole distance 1 min
E <sub>max</sub>	13 <sup>3</sup> / <sub>16</sub> in	Base hole distance 1 max
S	2	# of mounting bolts
S	<sup>3</sup> / <sub>4</sub> in	Mounting bolt diameter
	S1BC-307-FL	Cartridge float bearing
	S1BC-307-HD	Cartridge held bearing
	S1C-308	Cartridge
G	5 <sup>3</sup> / <sub>16</sub> in	Length through bore
L	7 <sup>0</sup> / <sub>1</sub> in	Outside diameter cartridge
	656,1 lbs	Grease capacity
	25,5 lbs	Cartridge weight
	S1B-307-FL	Bearing float
	S1B-307-HD	Bearing held
	9,2 lbs	Bearing weight
	308 Grp	Housing group
C <sub>r</sub>	37.301 lbf	Capacidad de carga dinámica, radial
C <sub>0r</sub>	52.396 lbf	Capacidad de carga estática, radial
C <sub>a</sub>	450 lbf	Capacidad de carga dinámica, axial
	2.740 1/min	Limiting speed
D <sub>0</sub>	6 <sup>0</sup> / <sub>1</sub> in	Outside diameter bearing
C <sub>0</sub>	2 <sup>3</sup> / <sub>4</sub> in	Width inner ring