



FAG

S2BCH-260MM-FL [↗](#)

Soporte de apoyo

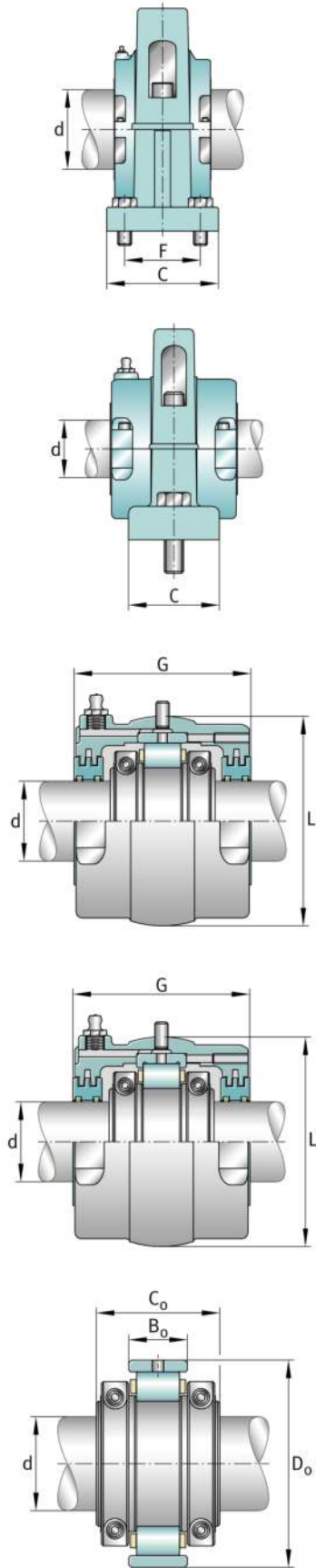
FAG split cylindrical roller bearing housing

Información técnica



Medidas principales y datos de rendimiento

d	260 mm	Diámetro del eje
H	≈ 711,2 mm	Housing height
B	≈ 812,8 mm	Length base
≈m	425,469 kg	Peso



Medidas

	S2BCH-260MM-FL	Complete unit float
	S2BCH-260MM-HD	Complete unit held
	PH-26	Housing designation
A	≈ 355,6 mm	Center height
C	≈ 292,1 mm	Base width
D	≈ 53,975 mm	Base height
E _{min}	≈ 577,85 mm	Base hole distance 1 min
E _{min}	≈ 615,95 mm	Base hole distance 1 max
F	≈ 203,2 mm	Base hole distance 2
s	4	# of mounting bolts
s	≈ 31,75 mm	Mounting bolt diameter
	S2BC-260MM-FL	Cartridge float bearing
	S2BC-260MM-HD	Cartridge held bearing
	S2C-1000	Cartridge
G	≈ 280,988 mm	Length through bore
L	≈ 495,3 mm	Outside diameter cartridge
	≈ 4,037 kg	Grease capacity
	≈ 199,536 kg	Cartridge weight
	S2B-260MM-FL	Bearing float
	S2B-260MM-HD	Bearing held
	≈ 84,777 kg	Bearing weight
	1000 Grp	Bearing group
C _r	≈ 1.094.256,928 N	Capacidad de carga dinámica, radial
C _{0r}	≈ 1.902.462,976 N	Capacidad de carga estática, radial
C _a	≈ 61.217,824 N	Capacidad de carga dinámica, axial
	990 1/min	Limiting speed
D ₀	≈ 431,8 mm	Outside diameter bearing
C ₀	≈ 169,367 mm	Width inner ring
B ₀	≈ 96,85 mm	Width outer ring



Ver detalles del producto en Medias

13.11.2025, 07:05:04 UTC

SCHAEFFLER

