



FAG

S3BCH-280MM-HD [↗](#)

Soporte de apoyo

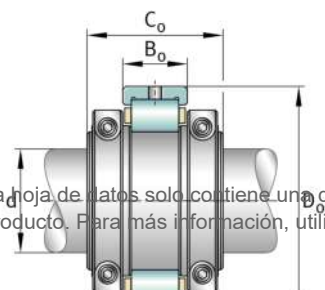
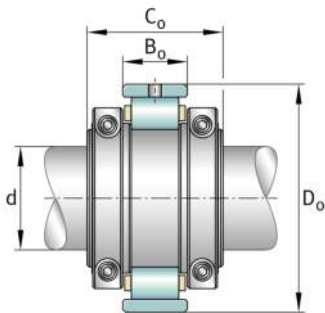
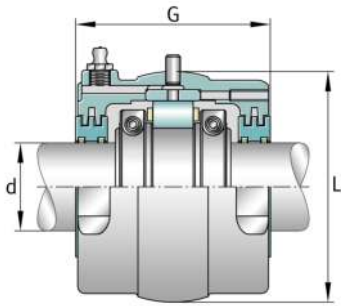
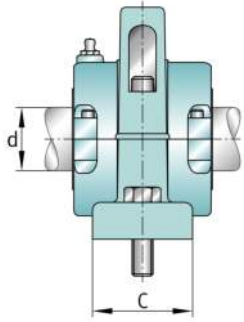
FAG split cylindrical roller bearing housing

Información técnica



Medidas principales y datos de rendimiento

d	280 mm	Diámetro del eje
H	≈ 781,05 mm	Housing height
B	≈ 939,8 mm	Length base
≈m	628,679 kg	Peso



Medidas

	S3BCH-280MM-FL	Complete unit float
	S3BCH-280MM-HD	Complete unit held
	PH-316	Housing designation
A	≈ 368,3 mm	Center height
C	≈ 279,4 mm	Base width
D	≈ 69,85 mm	Base height
E _{min}	≈ 482,6 mm	Base hole distance 1 min
E _{max}	≈ 520,7 mm	Base hole distance 1 max
E _{1, min}	≈ 723,9 mm	Base hole distance 3 min
E _{1, max}	≈ 762 mm	Base hole distance 3 max
F	≈ 177,8 mm	Base hole distance 2
s	8	# of mounting bolts
s	≈ 38,1 mm	Mounting bolt diameter
	S3BC-280MM-FL	Cartridge float bearing
	S3BC-280MM-HD	Cartridge held bearing
	S3C-1100	Cartridge
G	≈ 357,188 mm	Lenght through bore
L	≈ 571,5 mm	Outside diameter cartridge
	≈ 9,979 kg	Grease capacity
	≈ 420,481 kg	Cartridge weight
	S3B-280MM-FL	Bearing float
	S3B-280MM-HD	Bearing held
	≈ 194,138 kg	Bearing weight
	1100 Grp	Bearing Group
C _r	≈ 1.932.825,024 N	Capacidad de carga dinámica, radial
C _{0r}	≈ 3.341.840,224 N	Capacidad de carga estática, radial
C _a	≈ 86.153,312 N	Capacidad de carga dinámica, axial
	870 1/min	Limiting speed
D ₀	≈ 495,3 mm	Outside diameter bearing
C ₀	≈ 249,992 mm	Width inner ring