



**FAG**

### S3BCH-180MM-HD [↗](#)

Soporte de apoyo

FAG split cylindrical roller bearing housing

#### Información técnica



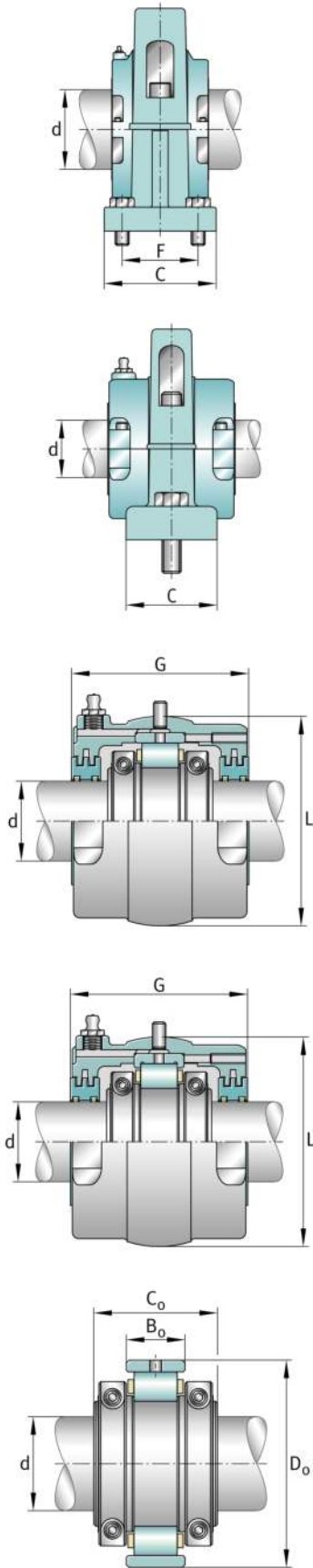
#### Medidas principales y datos de rendimiento

d	180 mm	Diámetro del eje
H	≈ 581,025 mm	Housing height
B	≈ 762 mm	Length base
≈m	403,697 kg	Peso



**Medidas**

	S3BCH-180MM-FL	Complete unit float
	S3BCH-180MM-HD	Complete unit held
	PH-312	Housing designation
A	≈ 279,4 mm	Center height
C	≈ 254 mm	Base width
D	≈ 63,5 mm	Base height
E <sub>min</sub>	≈ 615,95 mm	Base hole distance 1 min
E <sub>max</sub>	≈ 654,05 mm	Base hole distance 1 max
F	≈ 152,4 mm	Base hole distance 2
s	4	# of mounting bolts
s	≈ 31,75 mm	Mounting bolt diameter
	S3BC-180MM-FL	Cartridge float bearing
	S3BC-180MM-HD	Cartridge held bearing
	S3C-700	Cartridge
G	≈ 284,162 mm	Lenght through bore
L	≈ 431,8 mm	Outside diameter cartridge
	≈ 4,536 kg	Grease capacity
	≈ 180,53 kg	Cartridge weight
	S3B-180MM-FL	Bearing float
	S3B-180MM-HD	Bearing held
	≈ 83,461 kg	Bearing weight
	700 Grp	Bearing Group
C <sub>r</sub>	≈ 1.116.216,704 N	Capacidad de carga dinámica, radial
C <sub>0r</sub>	≈ 1.713.471,904 N	Capacidad de carga estática, radial
C <sub>a</sub>	≈ 69.451,072 N	Capacidad de carga dinámica, axial
	1.227 1/min	Limiting speed
D <sub>0</sub>	≈ 374,65 mm	Outside diameter bearing
C <sub>0</sub>	≈ 178,003 mm	Width inner ring
B <sub>0</sub>	≈ 108,712 mm	Width outer ring





Ver detalles del producto en Medias

13.11.2025, 07:00:20 UTC

SCHAEFFLER

