



FAG

S3BCH-150MM-HD [↗](#)

Soporte de apoyo

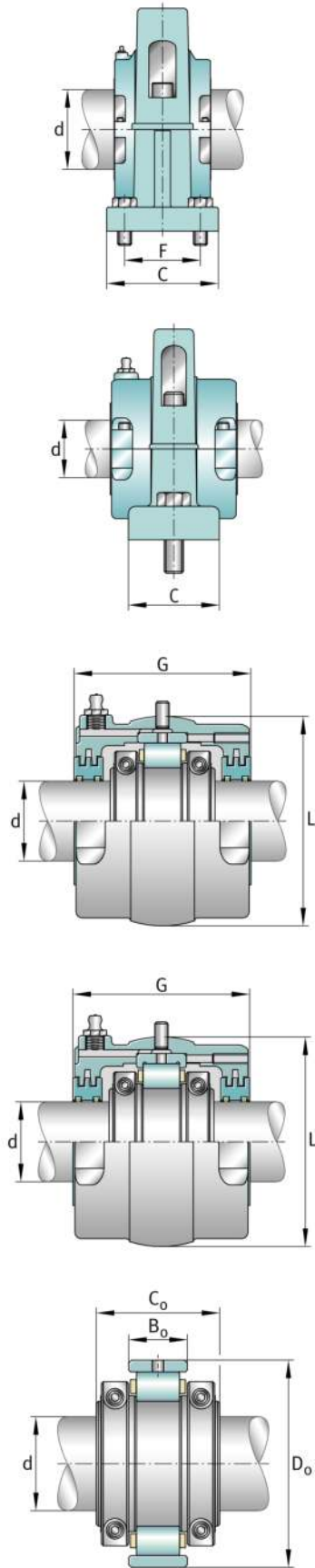
FAG split cylindrical roller bearing housing

Información técnica



Medidas principales y datos de rendimiento

d	150 mm	Diámetro del eje
H	≈ 533,4 mm	Housing height
B	≈ 666,75 mm	Length base
≈m	316,607 kg	Peso



Medidas

	S3BCH-150MM-FL	Complete unit float
	S3BCH-150MM-HD	Complete unit held
	PH-310	Housing designation
A	≈ 254 mm	Center height
C	≈ 203,2 mm	Base width
D	≈ 57,15 mm	Base height
E _{min}	≈ 539,75 mm	Base hole distance 1 min
E _{max}	≈ 577,85 mm	Base hole distance 1 max
F	≈ 120,65 mm	Base hole distance 2
s	4	# of mounting bolts
s	≈ 31,75 mm	Mounting bolt diameter
	S3BC-150MM-FL	Cartridge float bearing
	S3BC-150MM-HD	Cartridge held bearing
	S3C-600	Cartridge
G	≈ 254 mm	Lenght through bore
L	≈ 393,7 mm	Outside diameter cartridge
	≈ 2,722 kg	Grease capacity
	≈ 138,346 kg	Cartridge weight
	S3B-150MM-FL	Bearing float
	S3B-150MM-HD	Bearing held
	≈ 59,421 kg	Bearing weight
	600 Grp	Bearing Group
C _r	≈ 1.056.075,296 N	Capacidad de carga dinámica, radial
C _{0r}	≈ 1.512.533,504 N	Capacidad de carga estática, radial
C _a	≈ 70.718,752 N	Capacidad de carga dinámica, axial
	1.407 1/min	Limiting speed
D ₀	≈ 330,2 mm	Outside diameter bearing
C ₀	≈ 159,995 mm	Width inner ring
B ₀	≈ 96,85 mm	Width outer ring



Ver detalles del producto en Medias

13.11.2025, 06:59:13 UTC

SCHAEFFLER

