



FAG

S3BCH-360MM-FL [↗](#)

Soporte de apoyo

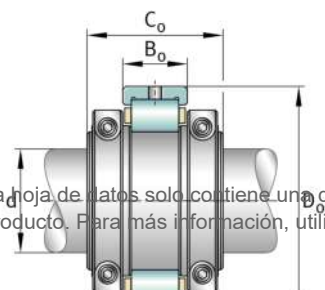
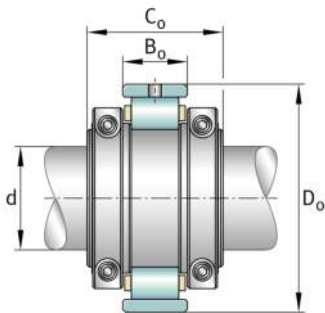
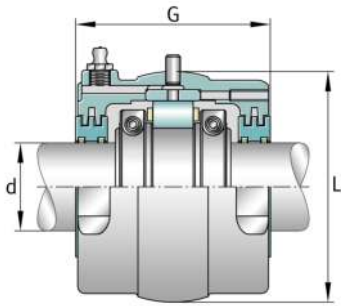
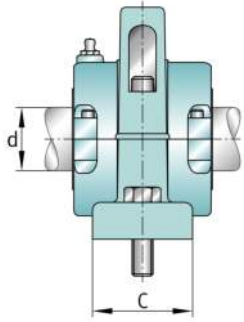
FAG split cylindrical roller bearing housing

Información técnica



Medidas principales y datos de rendimiento

| | | |
|----|--------------|------------------|
| d | 360 mm | Diámetro del eje |
| H | ≈ 1.003,3 mm | Housing height |
| B | ≈ 1.219,2 mm | Length base |
| ≈m | 1.147,588 kg | Peso |



Medidas

| | | |
|---------------------|-------------------|-------------------------------------|
| | S3BCH-360MM-FL | Complete unit float |
| | S3BCH-360MM-HD | Complete unit held |
| | PH-319 | Housing designation |
| A | ≈ 469,9 mm | Center height |
| C | ≈ 317,5 mm | Base width |
| D | ≈ 82,55 mm | Base height |
| E _{min} | ≈ 631,825 mm | Base hole distance 1 min |
| E _{max} | ≈ 685,8 mm | Base hole distance 1 max |
| E _{1, min} | ≈ 898,525 mm | Base hole distance 3 min |
| E _{1, max} | ≈ 952,5 mm | Base hole distance 3 max |
| F | ≈ 190,5 mm | Base hole distance 2 |
| s | 8 | # of mounting bolts |
| s | ≈ 38,1 mm | Mounting bolt diameter |
| | S3BC-360MM-FL | Cartridge float bearing |
| | S3BC-360MM-HD | Cartridge held bearing |
| | S3C-1400 | Cartridge |
| G | ≈ 431,8 mm | Lenght through bore |
| L | ≈ 704,85 mm | Outside diameter cartridge |
| | ≈ 14,969 kg | Grease capacity |
| | ≈ 703,069 kg | Cartridge weight |
| | S3B-360MM-FL | Bearing float |
| | S3B-360MM-HD | Bearing held |
| | ≈ 322,051 kg | Bearing weight |
| | 1400 Grp | Bearing Group |
| C _r | ≈ 2.548.859,68 N | Capacidad de carga dinámica, radial |
| C _{0r} | ≈ 4.545.362,272 N | Capacidad de carga estática, radial |
| C _a | ≈ 96.788,48 N | Capacidad de carga dinámica, axial |
| | 700 1/min | Limiting speed |
| D ₀ | ≈ 615,95 mm | Outside diameter bearing |
| C ₀ | ≈ 278,994 mm | Width inner ring |

La hoja de datos solo contiene una descripción general de los datos técnicos del producto seleccionado. Consulte la documentación adicional de este producto. Para más información, utilice el siguiente enlace en nuestra página web: [Formulario de contacto](#)