



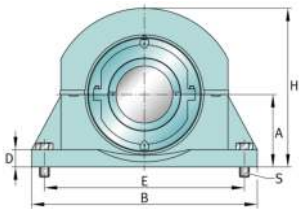
**FAG**

## S1BCH-155MM-FL [↗](#)

Soporte de apoyo

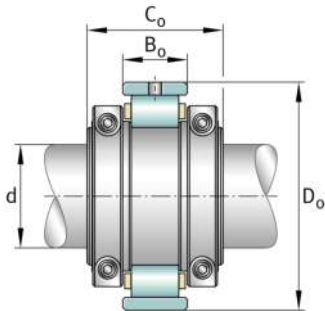
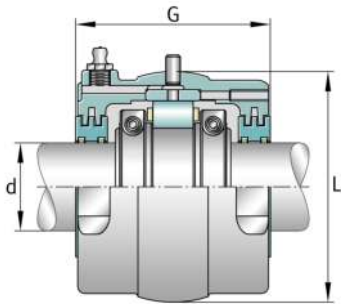
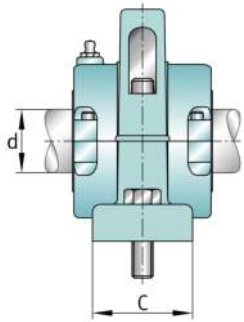
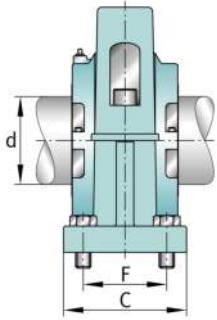
FAG split cylindrical roller bearing housing

### Información técnica



#### Medidas principales y datos de rendimiento

d	155 mm	Diámetro del eje
B	≈ 558,8 mm	Length base
H	≈ 400,05 mm	Housing height
≈m	101,831 kg	Peso



**Medidas**

	S1BCH-155MM-FL	Complete unit float
	S1BCH-155MM-HD	Complete unit held
	PH-10	Housing designation
A	≈ 180,975 mm	Center height
C	≈ 177,8 mm	Base width
D	≈ 41,275 mm	Base height
E <sub>min</sub>	≈ 469,9 mm	Base hole distance 1 min
E <sub>max</sub>	≈ 520,7 mm	Base hole distance 1 max
F	≈ 120,65 mm	Base hole distance 2
S	4	# of mounting bolts
S	≈ 22,225 mm	Mounting bolt diameter
	S1BC-155MM-FL	Cartridge float bearing
	S1BC-155MM-HD	Cartridge held bearing
	S1C-600	Cartridge
G	≈ 171,45 mm	Length through bore
L	≈ 295,275 mm	Outside diameter cartridge
	≈ 0,907 kg	Grease capacity
	≈ 43,999 kg	Cartridge weight
	S1B-155MM-FL	Bearing float
	S1B-155MM-HD	Bearing held
	≈ 16,828 kg	Bearing weight
	600 Grp	Housing group
C <sub>r</sub>	≈ 387.024,928 N	Capacidad de carga dinámica, radial
C <sub>0r</sub>	≈ 626.313,984 N	Capacidad de carga estática, radial
C <sub>a</sub>	≈ 3.367,136 N	Capacidad de carga dinámica, axial
	1.670 1/min	Limiting speed
D <sub>0</sub>	≈ 254 mm	Outside diameter bearing
C <sub>0</sub>	≈ 98,425 mm	Width inner ring
B <sub>0</sub>	≈ 55,575 mm	Width outer ring



Ver detalles del producto en Medias

13.11.2025, 06:58:11 UTC

SCHAEFFLER

