



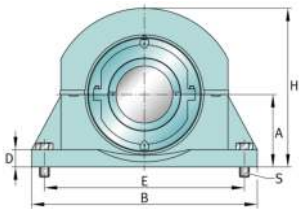
FAG

S1BCH-140MM-HD [↗](#)

Soporte de apoyo

FAG split cylindrical roller bearing housing

Información técnica



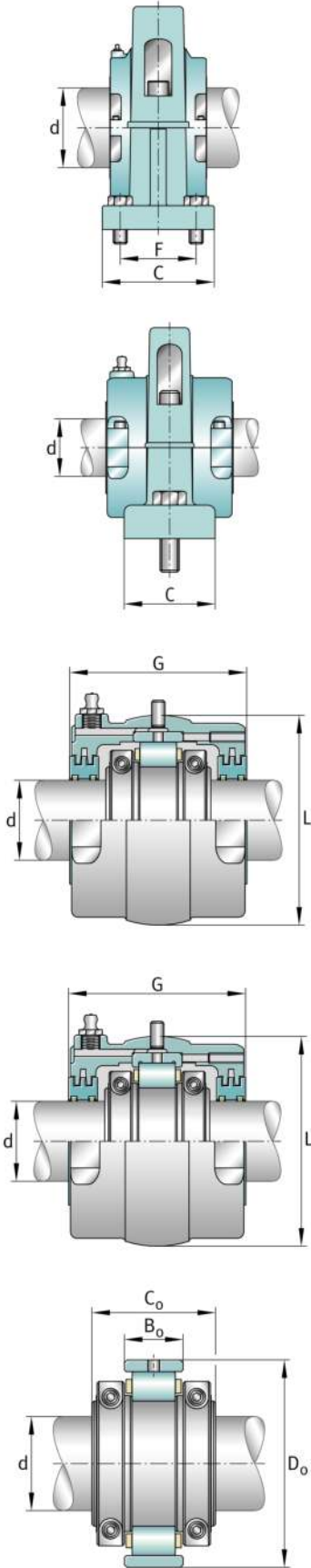
Medidas principales y datos de rendimiento

d	140 mm	Diámetro del eje
B	≈ 558,8 mm	Length base
H	≈ 393,7 mm	Housing height
≈m	91,353 kg	Peso



Medidas

	S1BCH-140MM-FL	Complete unit float
	S1BCH-140MM-HD	Complete unit held
	PH-9	Housing designation
A	≈ 180,975 mm	Center height
C	≈ 177,8 mm	Base width
D	≈ 39,688 mm	Base height
E _{min}	≈ 469,9 mm	Base hole distance 1 min
E _{max}	≈ 495,3 mm	Base hole distance 1 max
F	≈ 120,65 mm	Base hole distance 2
S	4	# of mounting bolts
S	≈ 22,225 mm	Mounting bolt diameter
	S1BC-140MM-FL	Cartridge float bearing
	S1BC-140MM-HD	Cartridge held bearing
	S1C-508	Cartridge
G	≈ 166,688 mm	Length through bore
L	≈ 279,4 mm	Outside diameter cartridge
	≈ 0,816 kg	Grease capacity
	≈ 36,786 kg	Cartridge weight
	S1B-140MM-FL	Bearing float
	S1B-140MM-HD	Bearing held
	≈ 14,696 kg	Bearing weight
	508 Grp	Housing group
C _r	≈ 356.565,024 N	Capacidad de carga dinámica, radial
C _{0r}	≈ 551.418,56 N	Capacidad de carga estática, radial
C _a	≈ 3.166,976 N	Capacidad de carga dinámica, axial
	1.780 1/min	Limiting speed
D ₀	≈ 241,3 mm	Outside diameter bearing
C ₀	≈ 98,425 mm	Width inner ring
B ₀	≈ 55,575 mm	Width outer ring





Ver detalles del producto en Medias

13.11.2025, 10:26:37 UTC

SCHAEFFLER

