



**FAG**

## S2BCH-110MM-FL [↗](#)

Soporte de apoyo

FAG split cylindrical roller bearing housing

### Información técnica



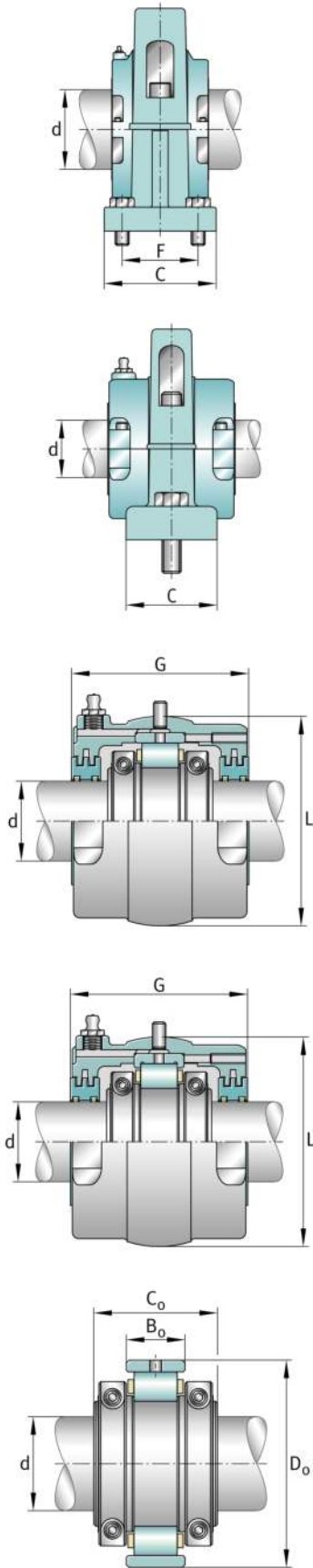
#### Medidas principales y datos de rendimiento

d	110 mm	Diámetro del eje
H	≈ 355,6 mm	Housing height
B	≈ 508 mm	Length base
≈m	81,647 kg	Peso



**Medidas**

	S2BCH-110MM-FL	Complete unit float
	S2BCH-110MM-HD	Complete unit held
	PH-8	Housing designation
A	≈ 161,925 mm	Center height
C	≈ 177,8 mm	Base width
D	≈ 38,1 mm	Base height
E <sub>min</sub>	≈ 438,15 mm	Base hole distance 1 min
E <sub>min</sub>	≈ 461,962 mm	Base hole distance 1 max
F	≈ 120,65 mm	Base hole distance 2
s	4	# of mounting bolts
s	≈ 22,225 mm	Mounting bolt diameter
	S2BC-110MM-FL	Cartridge float bearing
	S2BC-110MM-HD	Cartridge held bearing
	S2C-408	Cartridge
G	≈ 161,925 mm	Length through bore
L	≈ 266,7 mm	Outside diameter cartridge
	≈ 0,907 kg	Grease capacity
	≈ 35,017 kg	Cartridge weight
	S2B-110MM-FL	Bearing float
	S2B-110MM-HD	Bearing held
	≈ 17,645 kg	Bearing weight
	408 Grp	Bearing group
C <sub>r</sub>	≈ 406.774,048 N	Capacidad de carga dinámica, radial
C <sub>0r</sub>	≈ 583.573,152 N	Capacidad de carga estática, radial
C <sub>a</sub>	≈ 3.811,936 N	Capacidad de carga dinámica, axial
	1.980 1/min	Limiting speed
D <sub>0</sub>	≈ 228,6 mm	Outside diameter bearing
C <sub>0</sub>	≈ 100,025 mm	Width inner ring
B <sub>0</sub>	≈ 57,15 mm	Width outer ring





Ver detalles del producto en Medias

13.11.2025, 10:22:04 UTC

SCHAEFFLER

