



FAG

S2BCH-125MM-FL [↗](#)

Soporte de apoyo

FAG split cylindrical roller bearing housing

Información técnica



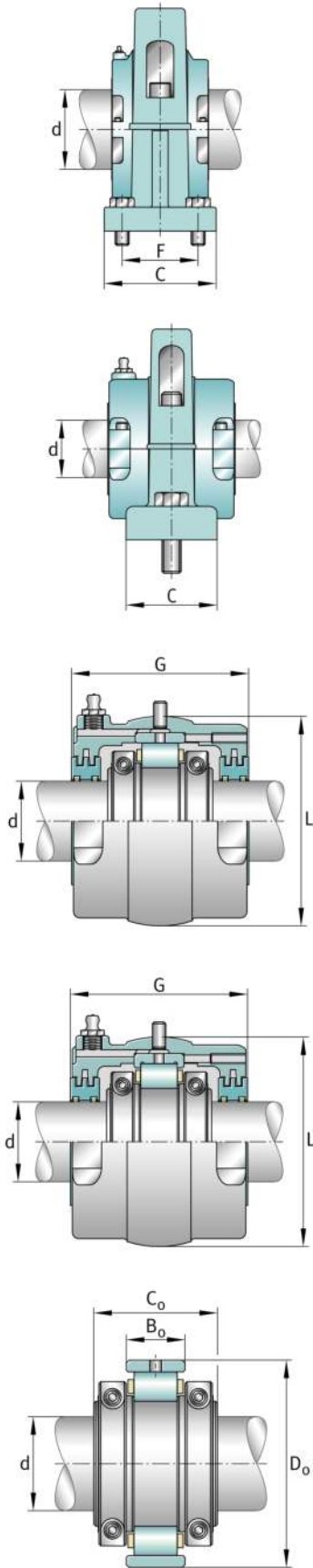
Medidas principales y datos de rendimiento

d	125 mm	Diámetro del eje
H	≈ 400,05 mm	Housing height
B	≈ 558,8 mm	Length base
≈m	106,141 kg	Peso



Medidas

	S2BCH-125MM-FL	Complete unit float
	S2BCH-125MM-HD	Complete unit held
	PH-10	Housing designation
A	≈ 180,975 mm	Center height
C	≈ 177,8 mm	Base width
D	≈ 41,275 mm	Base height
E _{min}	≈ 469,9 mm	Base hole distance 1 min
E _{min}	≈ 520,7 mm	Base hole distance 1 max
F	≈ 120,65 mm	Base hole distance 2
s	4	# of mounting bolts
s	≈ 22,225 mm	Mounting bolt diameter
	S2BC-125MM-FL	Cartridge float bearing
	S2BC-125MM-HD	Cartridge held bearing
	S2C-500	Cartridge
G	≈ 184,15 mm	Length through bore
L	≈ 295,275 mm	Outside diameter cartridge
	≈ 1,134 kg	Grease capacity
	≈ 50,576 kg	Cartridge weight
	S2B-125MM-FL	Bearing float
	S2B-125MM-HD	Bearing held
	≈ 24,948 kg	Bearing weight
	500 Grp	Bearing group
C _r	≈ 495.373,76 N	Capacidad de carga dinámica, radial
C _{0r}	≈ 723.969,824 N	Capacidad de carga estática, radial
C _a	≈ 4.230,048 N	Capacidad de carga dinámica, axial
	1.780 1/min	Limiting speed
D ₀	≈ 254 mm	Outside diameter bearing
C ₀	≈ 114,3 mm	Width inner ring
B ₀	≈ 63,5 mm	Width outer ring





Ver detalles del producto en Medias

13.11.2025, 10:21:45 UTC

SCHAEFFLER

