



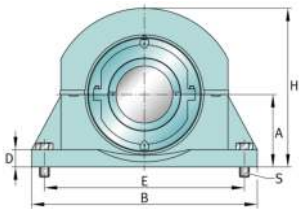
FAG

S2BCH-100MM-HD [↗](#)

Soporte de apoyo

FAG split cylindrical roller bearing housing

Información técnica



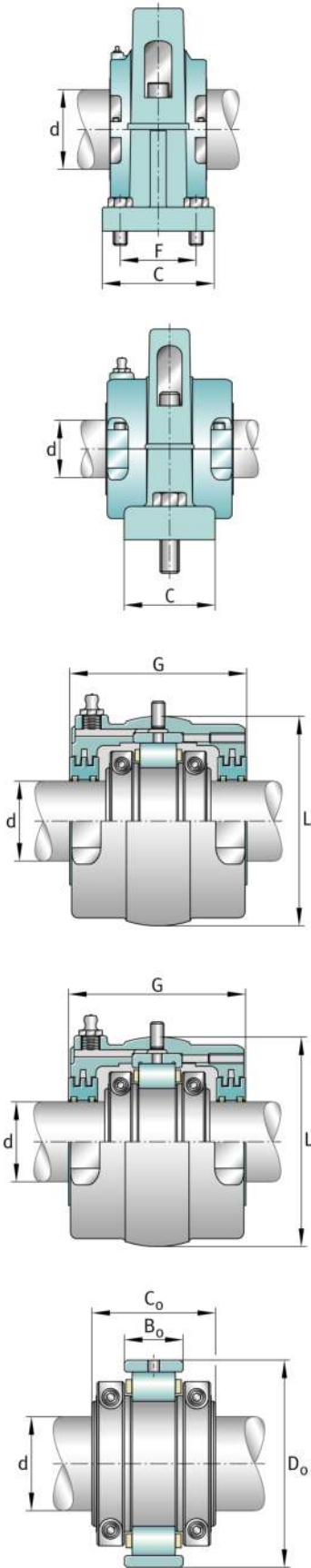
Medidas principales y datos de rendimiento

d	100 mm	Diámetro del eje
H	≈ 314,325 mm	Housing height
B	≈ 476,25 mm	Length base
≈m	53,524 kg	Peso



Medidas

	S2BCH-100MM-FL	Complete unit float
	S2BCH-100MM-HD	Complete unit held
	PH-7	Housing designation
A	≈ 142,875 mm	Center height
C	≈ 171,45 mm	Base width
D	≈ 60,325 mm	Base height
E _{min}	≈ 400,05 mm	Base hole distance 1 min
E _{min}	≈ 423,862 mm	Base hole distance 1 max
F	≈ 114,3 mm	Base hole distance 2
s	4	# of mounting bolts
s	≈ 19,05 mm	Mounting bolt diameter
	S2BC-100MM-FL	Cartridge float bearing
	S2BC-100MM-HD	Cartridge held bearing
	S2C-400	Cartridge
G	≈ 146,05 mm	Length through bore
L	≈ 231,775 mm	Outside diameter cartridge
	≈ 0,635 kg	Grease capacity
	≈ 26,308 kg	Cartridge weight
	S2B-100MM-FL	Bearing float
	S2B-100MM-HD	Bearing held
	≈ 9,888 kg	Bearing weight
	400 Grp	Bearing group
C _r	≈ 329.877,024 N	Capacidad de carga dinámica, radial
C _{0r}	≈ 467.315,776 N	Capacidad de carga estática, radial
C _a	≈ 3.384,928 N	Capacidad de carga dinámica, axial
	2.230 1/min	Limiting speed
D ₀	≈ 193,675 mm	Outside diameter bearing
C ₀	≈ 91,999 mm	Width inner ring
B ₀	≈ 51,587 mm	Width outer ring





Ver detalles del producto en Medias

13.11.2025, 07:15:59 UTC

SCHAEFFLER

