



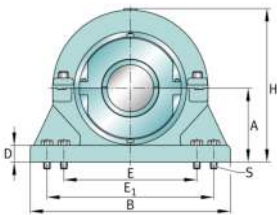
FAG

S3BCH-240MM-HD [↗](#)

Soporte de apoyo

FAG split cylindrical roller bearing housing

Información técnica



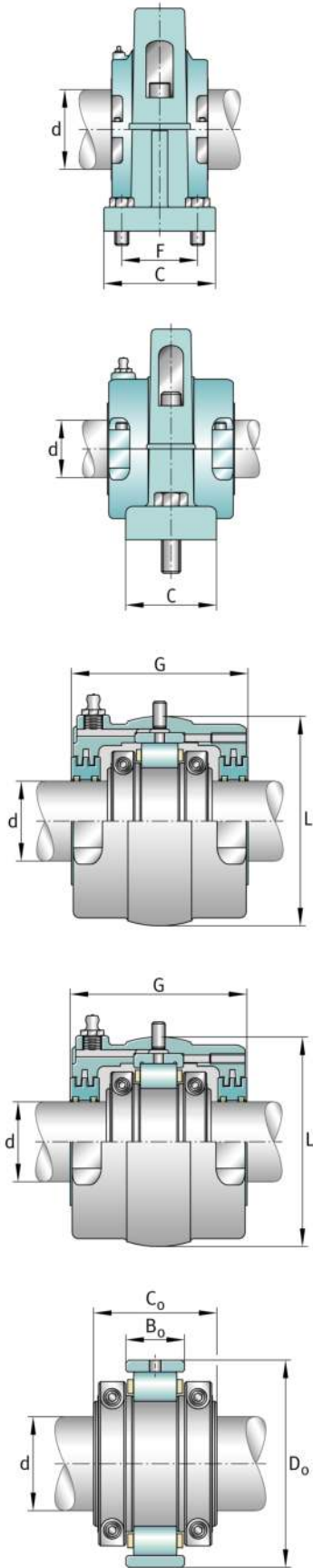
Medidas principales y datos de rendimiento

d	240 mm	Diámetro del eje
H	≈ 787,4 mm	Housing height
B	≈ 914,4 mm	Length base
≈m	857,289 kg	Peso



Medidas

	S3BCH-240MM-FL	Complete unit float
	S3BCH-240MM-HD	Complete unit held
	PH-315	Housing designation
A	≈ 393,7 mm	Center height
C	≈ 406,4 mm	Base width
D	≈ 76,2 mm	Base height
E _{min}	≈ 650,875 mm	Base hole distance 1 min
E _{max}	≈ 688,975 mm	Base hole distance 1 max
F	≈ 304,8 mm	Base hole distance 2
s	4	# of mounting bolts
s	≈ 44,45 mm	Mounting bolt diameter
	S3BC-240MM-FL	Cartridge float bearing
	S3BC-240MM-HD	Cartridge held bearing
	S3C-1000	Cartridge
G	≈ 334,962 mm	Lenght through bore
L	≈ 558,8 mm	Outside diameter cartridge
	≈ 8,165 kg	Grease capacity
	≈ 338,834 kg	Cartridge weight
	S3B-240MM-FL	Bearing float
	S3B-240MM-HD	Bearing held
	≈ 157,397 kg	Bearing weight
	1000 Grp	Bearing Group
C _r	≈ 1.631.326,24 N	Capacidad de carga dinámica, radial
C _{0r}	≈ 2.635.733,568 N	Capacidad de carga estática, radial
C _a	≈ 79.276,704 N	Capacidad de carga dinámica, axial
	920 1/min	Limiting speed
D ₀	≈ 482,6 mm	Outside diameter bearing
C ₀	≈ 210,998 mm	Width inner ring
B ₀	≈ 124,612 mm	Width outer ring





Ver detalles del producto en Medias

13.11.2025, 07:15:33 UTC

SCHAEFFLER

