



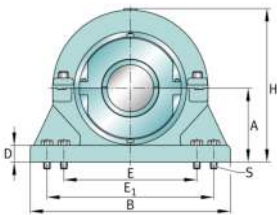
FAG

S3BCH-200MM-FL [↗](#)

Soporte de apoyo

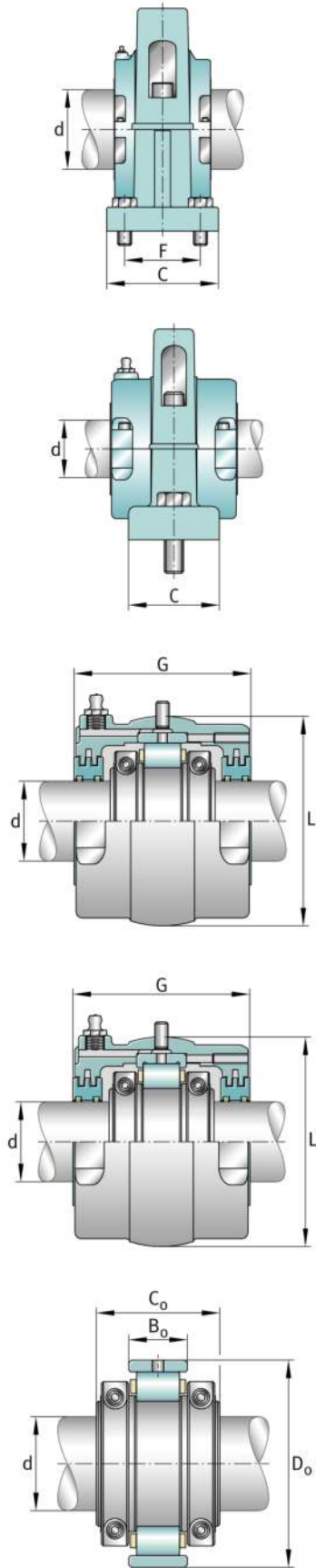
FAG split cylindrical roller bearing housing

Información técnica



Medidas principales y datos de rendimiento

d	200 mm	Diámetro del eje
H	≈ 654,05 mm	Housing height
B	≈ 838,2 mm	Length base
≈m	539,321 kg	Peso



Medidas

	S3BCH-200MM-FL	Complete unit float
	S3BCH-200MM-HD	Complete unit held
	PH-313	Housing designation
A	≈ 311,15 mm	Center height
C	≈ 266,7 mm	Base width
D	≈ 66,675 mm	Base height
E _{min}	≈ 615,95 mm	Base hole distance 1 min
E _{max}	≈ 654,05 mm	Base hole distance 1 max
F	≈ 171,45 mm	Base hole distance 2
s	4	# of mounting bolts
s	≈ 38,1 mm	Mounting bolt diameter
	S3BC-200MM-FL	Cartridge float bearing
	S3BC-200MM-HD	Cartridge held bearing
	S3C-800	Cartridge
G	≈ 300,037 mm	Lenght through bore
L	≈ 488,95 mm	Outside diameter cartridge
	≈ 5,443 kg	Grease capacity
	≈ 233,147 kg	Cartridge weight
	S3B-200MM-FL	Bearing float
	S3B-200MM-HD	Bearing held
	≈ 110,677 kg	Bearing weight
	800 Grp	Bearing Group
C _r	≈ 1.317.688,864 N	Capacidad de carga dinámica, radial
C _{0r}	≈ 2.053.721,664 N	Capacidad de carga estática, radial
C _a	≈ 75.384,704 N	Capacidad de carga dinámica, axial
	1.105 1/min	Limiting speed
D ₀	≈ 419,1 mm	Outside diameter bearing
C ₀	≈ 191,008 mm	Width inner ring
B ₀	≈ 118,262 mm	Width outer ring



Ver detalles del producto en Medias

13.11.2025, 07:13:16 UTC

SCHAEFFLER

