



FAG

S2BCH-150MM-HD [↗](#)

Soporte de apoyo

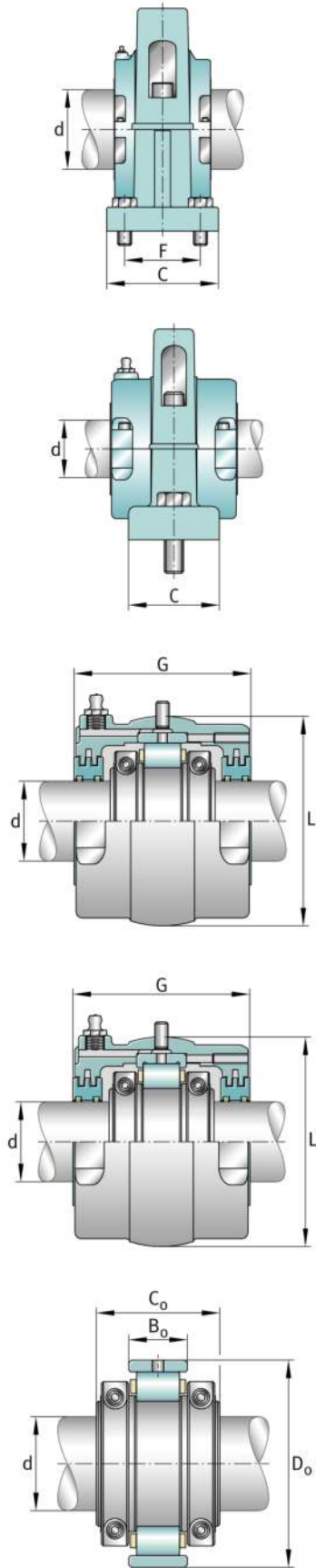
FAG split cylindrical roller bearing housing

Información técnica



Medidas principales y datos de rendimiento

d	150 mm	Diámetro del eje
H	≈ 457,2 mm	Housing height
B	≈ 635 mm	Length base
≈m	169,643 kg	Peso



Medidas

	S2BCH-150MM-FL	Complete unit float
	S2BCH-150MM-HD	Complete unit held
	PH-21	Housing designation
A	≈ 311,15 mm	Center height
C	≈ 203,2 mm	Base width
D	≈ 50,8 mm	Base height
E _{min}	≈ 546,1 mm	Base hole distance 1 min
E _{min}	≈ 571,5 mm	Base hole distance 1 max
F	≈ 127 mm	Base hole distance 2
s	4	# of mounting bolts
s	≈ 25,4 mm	Mounting bolt diameter
	S2BC-150MM-FL	Cartridge float bearing
	S2BC-150MM-HD	Cartridge held bearing
	S2C-600	Cartridge
G	≈ 201,612 mm	Length through bore
L	≈ 336,55 mm	Outside diameter cartridge
	≈ 1,361 kg	Grease capacity
	≈ 73,482 kg	Cartridge weight
	S2B-150MM-FL	Bearing float
	S2B-150MM-HD	Bearing held
	≈ 31,933 kg	Bearing weight
	600 Grp	Bearing group
C _r	≈ 655.306,048 N	Capacidad de carga dinámica, radial
C _{0r}	≈ 1.019.939,744 N	Capacidad de carga estática, radial
C _a	≈ 5.061,824 N	Capacidad de carga dinámica, axial
	1.450 1/min	Limiting speed
D ₀	≈ 292,1 mm	Outside diameter bearing
C ₀	≈ 123,825 mm	Width inner ring
B ₀	≈ 68,275 mm	Width outer ring



Ver detalles del producto en Medias

13.11.2025, 07:11:54 UTC

SCHAEFFLER

