



FAG

S1BCH-165MM-HD [↗](#)

Soporte de apoyo

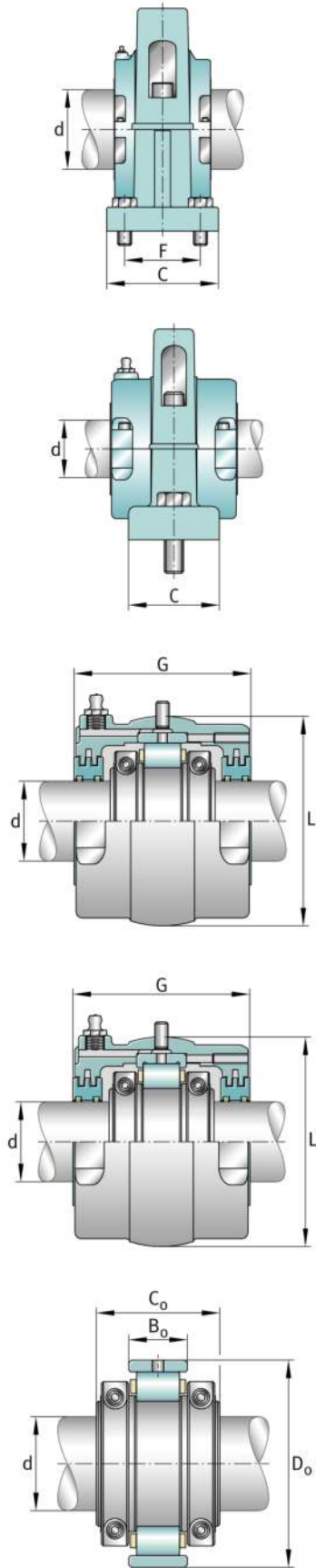
FAG split cylindrical roller bearing housing

Información técnica



Medidas principales y datos de rendimiento

d	165 mm	Diámetro del eje
B	≈ 508 mm	Length base
H	≈ 431,8 mm	Housing height
≈m	107,048 kg	Peso



Medidas

	S1BCH-165MM-FL	Complete unit float
	S1BCH-165MM-HD	Complete unit held
	PH-11	Housing designation
A	≈ 212,725 mm	Center height
C	≈ 177,8 mm	Base width
D	≈ 31,75 mm	Base height
E _{min}	≈ 355,6 mm	Base hole distance 1 min
E _{max}	≈ 381 mm	Base hole distance 1 max
F	≈ 114,3 mm	Base hole distance 2
S	4	# of mounting bolts
S	≈ 25,4 mm	Mounting bolt diameter
	S1BC-165MM-FL	Cartridge float bearing
	S1BC-165MM-HD	Cartridge held bearing
	S1C-608	Cartridge
G	≈ 192,087 mm	Length through bore
L	≈ 311,15 mm	Outside diameter cartridge
	≈ 0,953 kg	Grease capacity
	≈ 49,895 kg	Cartridge weight
	S1B-165MM-FL	Bearing float
	S1B-165MM-HD	Bearing held
	≈ 21,319 kg	Bearing weight
	608 Grp	Housing group
C _r	≈ 429.707,936 N	Capacidad de carga dinámica, radial
C _{0r}	≈ 702.712,832 N	Capacidad de carga estática, radial
C _a	≈ 35.312,672 N	Capacidad de carga dinámica, axial
	1.550 1/min	Limiting speed
D ₀	≈ 273,05 mm	Outside diameter bearing
C ₀	≈ 108,991 mm	Width inner ring
B ₀	≈ 60,325 mm	Width outer ring



Ver detalles del producto en Medias

13.11.2025, 07:11:43 UTC

SCHAEFFLER

