



**FAG**

## S1BCH-115MM-FL

Soporte de apoyo

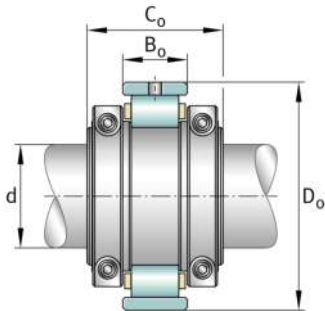
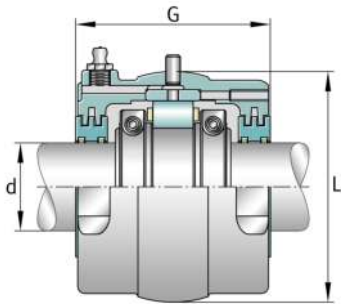
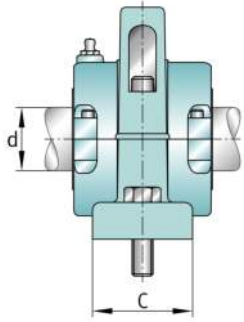
FAG split cylindrical roller bearing housing

### Información técnica



#### Medidas principales y datos de rendimiento

d	115 mm	Diámetro del eje
B	≈ 476,25 mm	Length base
H	≈ 314,325 mm	Housing height
≈m	49,895 kg	Peso



**Medidas**

	S1BCH-115MM-FL	Complete unit float
	S1BCH-115MM-HD	Complete unit held
	PH-7	Housing designation
A	≈ 142,875 mm	Center height
C	≈ 171,45 mm	Base width
D	≈ 60,325 mm	Base height
E <sub>min</sub>	≈ 400,05 mm	Base hole distance 1 min
E <sub>max</sub>	≈ 423,862 mm	Base hole distance 1 max
F	≈ 114,3 mm	Base hole distance 2
S	4	# of mounting bolts
S	≈ 19,05 mm	Mounting bolt diameter
	S1BC-115MM-FL	Cartridge float bearing
	S1BC-115MM-HD	Cartridge held bearing
	S1C-408	Cartridge
G	≈ 141,287 mm	Length through bore
L	≈ 231,775 mm	Outside diameter cartridge
	≈ 0,544 kg	Grease capacity
	≈ 22,045 kg	Cartridge weight
	S1B-115MM-FL	Bearing float
	S1B-115MM-HD	Bearing held
	≈ 9,435 kg	Bearing weight
	408 Grp	Housing group
C <sub>r</sub>	≈ 279,263,232 N	Capacidad de carga dinámica, radial
C <sub>0r</sub>	≈ 418,085,312 N	Capacidad de carga estática, radial
C <sub>a</sub>	≈ 2.891,2 N	Capacidad de carga dinámica, axial
	2.140 1/min	Limiting speed
D <sub>0</sub>	≈ 203,2 mm	Outside diameter bearing
C <sub>0</sub>	≈ 84,887 mm	Width inner ring
B <sub>0</sub>	≈ 46,838 mm	Width outer ring



Ver detalles del producto en Medias

13.11.2025, 07:11:19 UTC

SCHAEFFLER

