



FAG

S1BCH-380MM-HD [↗](#)

Soporte de apoyo

FAG split cylindrical roller bearing housing

Información técnica



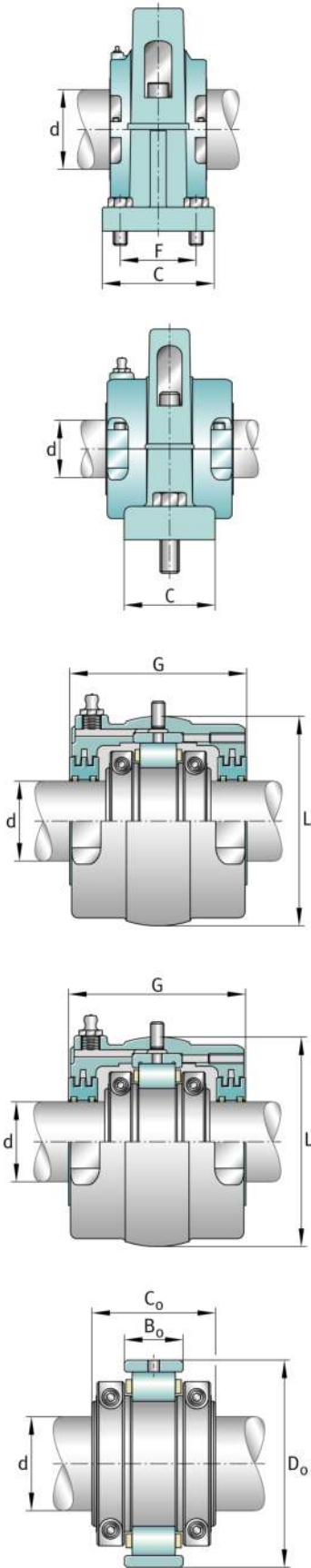
Medidas principales y datos de rendimiento

d	380 mm	Diámetro del eje
B	≈ 901,7 mm	Length base
H	≈ 768,35 mm	Housing height
≈m	521,631 kg	Peso



Medidas

	S1BCH-380MM-FL	Complete unit float
	S1BCH-380MM-HD	Complete unit held
	PH-20	Housing designation
A	≈ 396,875 mm	Center height
C	≈ 254 mm	Base width
D	≈ 60,325 mm	Base height
E _{min}	≈ 657,225 mm	Base hole distance 1 min
E _{max}	≈ 695,325 mm	Base hole distance 1 max
F	≈ 165,1 mm	Base hole distance 2
S	4	# of mounting bolts
S	≈ 38,1 mm	Mounting bolt diameter
	S1BC-380MM-FL	Cartridge float bearing
	S1BC-380MM-HD	Cartridge held bearing
	S1C-1500	Cartridge
G	≈ 279,4 mm	Length through bore
L	≈ 571,5 mm	Outside diameter cartridge
	≈ 3,175 kg	Grease capacity
	≈ 220,401 kg	Cartridge weight
	S1B-380MM-FL	Bearing float
	S1B-380MM-HD	Bearing held
	≈ 68,493 kg	Bearing weight
	1500 Grp	Housing group
C _r	≈ 899.109,824 N	Capacidad de carga dinámica, radial
C _{0r}	≈ 1.929.720,32 N	Capacidad de carga estática, radial
C _a	≈ 46.566,112 N	Capacidad de carga dinámica, axial
	753 1/min	Limiting speed
D ₀	≈ 520,7 mm	Outside diameter bearing
C ₀	≈ 139,929 mm	Width inner ring
B ₀	≈ 76,2 mm	Width outer ring





Ver detalles del producto en Medias

13.11.2025, 07:10:55 UTC

SCHAEFFLER

