



FAG

S1BCH-240MM-FL [↗](#)

Soporte de apoyo

FAG split cylindrical roller bearing housing

Información técnica



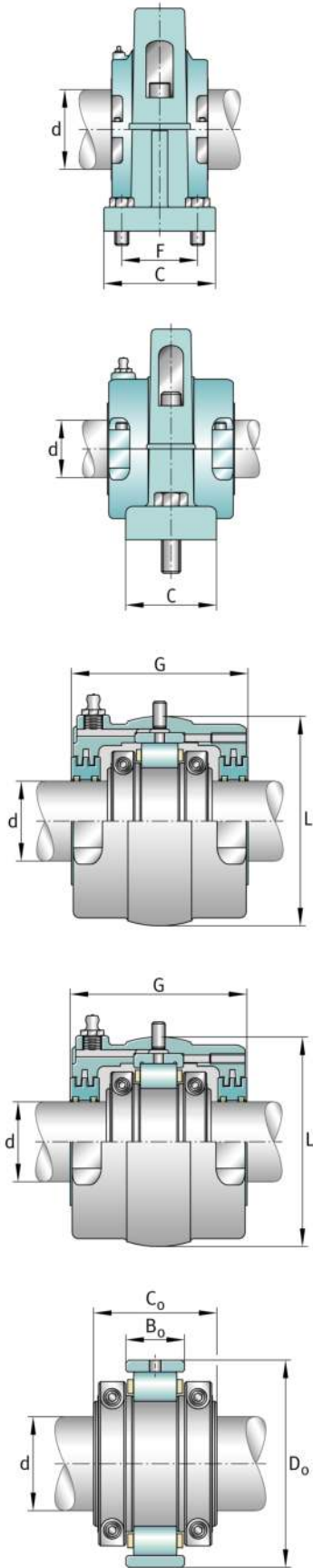
Medidas principales y datos de rendimiento

d	240 mm	Diámetro del eje
B	≈ 685,8 mm	Length base
H	≈ 584,2 mm	Housing height
≈m	232,239 kg	Peso



Medidas

	S1BCH-240MM-FL	Complete unit float
	S1BCH-240MM-HD	Complete unit held
	PH-15	Housing designation
A	≈ 292,1 mm	Center height
C	≈ 228,6 mm	Base width
D	≈ 44,45 mm	Base height
E _{min}	≈ 482,6 mm	Base hole distance 1 min
E _{max}	≈ 520,7 mm	Base hole distance 1 max
F	≈ 139,7 mm	Base hole distance 2
S	4	# of mounting bolts
S	≈ 31,75 mm	Mounting bolt diameter
	S1BC-240MM-FL	Cartridge float bearing
	S1BC-240MM-HD	Cartridge held bearing
	S1C-1000	Cartridge
G	≈ 222,25 mm	Length through bore
L	≈ 419,1 mm	Outside diameter cartridge
	≈ 1,905 kg	Grease capacity
	≈ 102,92 kg	Cartridge weight
	S1B-240MM-FL	Bearing float
	S1B-240MM-HD	Bearing held
	≈ 37,195 kg	Bearing weight
	1000 Grp	Housing group
C _r	≈ 601.116,064 N	Capacidad de carga dinámica, radial
C _{0r}	≈ 1.176.571,616 N	Capacidad de carga estática, radial
C _a	≈ 41.001,664 N	Capacidad de carga dinámica, axial
	1.080 1/min	Limiting speed
D ₀	≈ 374,65 mm	Outside diameter bearing
C ₀	≈ 121,996 mm	Width inner ring
B ₀	≈ 66,675 mm	Width outer ring





Ver detalles del producto en Medias

13.11.2025, 07:10:29 UTC

SCHAEFFLER

