



MLF32-300-ZR-FBALG [↗](#)

Módulo lineal

Actuators with external track roller guidance system and toothed belt drive. With bellows

Información técnica

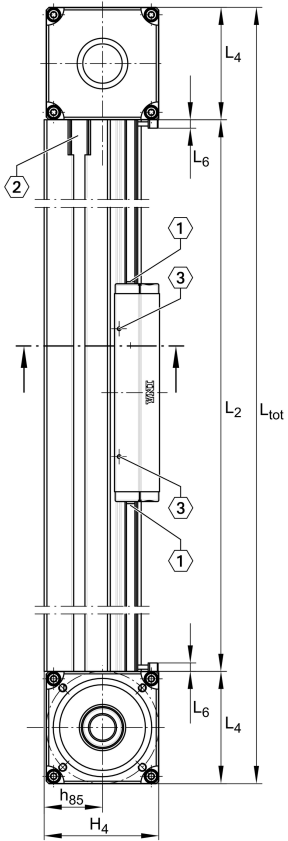


Variante de su producto actual

| | | |
|---------------------|-------|------------------------|
| Size code | 32 | |
| Length of carriage | 300 | 300 mm |
| Carriage design | / | Carro estándar |
| Drive type | (3)ZR | Toothed belt drive |
| Additional carriage | / | No additional carriage |
| Support rail design | / | One-piece |
| Bellow | FBALG | Yes |

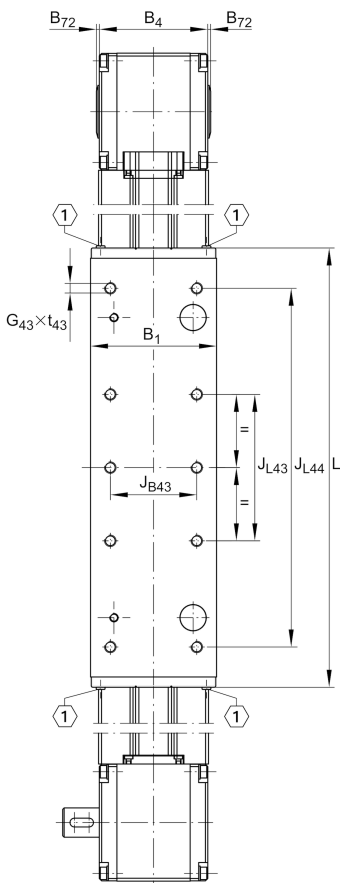
Medidas principales y datos de rendimiento

| | | |
|----------------|--------|-------------|
| B ₁ | 86 mm | Total Width |
| H | 82 mm | Altura |
| L | 300 mm | Longitud |



Medidas de montaje

| | | |
|--------------|---------|------------------|
| D 86 | 70 mm | |
| D 87 | 80 mm | Ø Bolt circle |
| d 85 | 20 mm | |
| d 86 | 61 mm | Ø Inner Fit |
| L 88 | 25 mm | |
| G 43 | M8 | Thread |
| G 87 | M6 | Thread |
| h 85 | 41,5 mm | |
| J B43 | 59 mm | |
| J L43 | 100 mm | Tolerance ±0,2 |
| J L44 | 245 mm | |
| j B8 | 43 mm | |
| N B85 | 6 mm | Width of Keyway |
| N L85 | 16 mm | Length of Keyway |
| N T85 | 3,5 mm | Depth of Keyway |
| T 86 | 2,3 mm | Depth Fit |
| Tol T 86 up | 0,3 mm | Upper tolerance |
| Tol T 86 low | 0 mm | Lower tolerance |
| t 43 max | 14 mm | Depth of Thread |
| t 87 max | 12 mm | |





Medidas

| | | |
|--------------------|----------|-----------------------------------|
| B ₂ | 75 mm | Width of Support Rail |
| B ₄ | 74 mm | Width of Return Unit |
| B ₇₂ | 2 mm | |
| H ₁ | 32 mm | |
| H ₂ | 66,5 mm | Altura |
| H ₄ | 81,5 mm | Height of Return Unit |
| H ₇ | 47 mm | |
| h ₁₃ | 25 mm | |
| L _{2 max} | 8.000 mm | Maximum length of Support Rail |
| L ₄ | 80 mm | |
| F _{BL} | 1,44 | Effective length factor of bellow |
| S | 85 mm | Medida |





Datos técnicos

| | | |
|---------------------|---------------------|--|
| m_{LAW} | 1,38 kg | Mass of Carriage |
| v_{max} | 8 m/s | Maximum Speed |
| a_{max} | 40 m/s ² | Maximum Acceleration |
| R_x | 205 mm | |
| R_y | 20,5 mm | |
| R_z | 54 mm | |
| I C | 4.100 N | Load direction I: compressive load |
| I C ₀ | 2.400 N | Load direction I: compressive load |
| II C | 4.100 N | Load direction II: tensile load |
| II C ₀ | 2.400 N | Load direction II: tensile load |
| III C | 6.600 N | Load direction III: lateral load |
| III C ₀ | 4.200 N | Load direction III: lateral load |
| M _{0x per} | 30 Nm | Max. permissible static moment per Carriage |
| M _{0y per} | 425 Nm | Max. permissible static moment per Carriage |
| M _{0z per} | 205 Nm | Max. permissible static moment per Carriage |
| I _y | 104 cm ⁴ | Geometrical moments of inertia of Support Rail |
| I _z | 76 cm ⁴ | Geometrical moments of inertia of Support Rail |

Información adicional

| | | |
|--|------------------------|--|
| | 18 Nm | Max. permissible drive torque |
| | 4 x LFR50/8-6-2Z | Track Rollers |
| | 0,1 mm | Repeat Accuracy ± |
| | 175 mm | Feed (mm/rotation) |
| | 20AT5 | Toothed Belt |
| | 0,068 kg/m | Mass of Toothed Belt |
| | 640 N | Permissible Toothed Belt operating force |
| | 2,2 kg*cm ² | Mass moment of inertia of Gears |



Rango de temperatura

T_{min} 0 °C Minimum operating Temperatur

T_{max} 80 °C Maximum operating Temperatur