

**MLF32-300-ZR-W2-FA517.1-FBALG** [↗](#)

Módulo lineal

Actuators with external track roller guidance system and toothed belt drive. With support rail in two segments, second, driven carriage and bellows

Información técnica



Variante de su producto actual

| | | |
|---------------------|---------|-------------------------|
| Size code | 32 | |
| Length of carriage | 300 | 300 mm |
| Carriage design | / | Carro estándar |
| Drive type | (3)ZR | Toothed belt drive |
| Additional carriage | W2 | Second, driven carriage |
| Support rail design | FA517.1 | Two-piece |
| Bellow | FBALG | Yes |

Medidas principales y datos de rendimiento

| | | |
|----------------|--------|-------------|
| B ₁ | 86 mm | Total Width |
| H | 82 mm | Altura |
| L | 300 mm | Longitud |

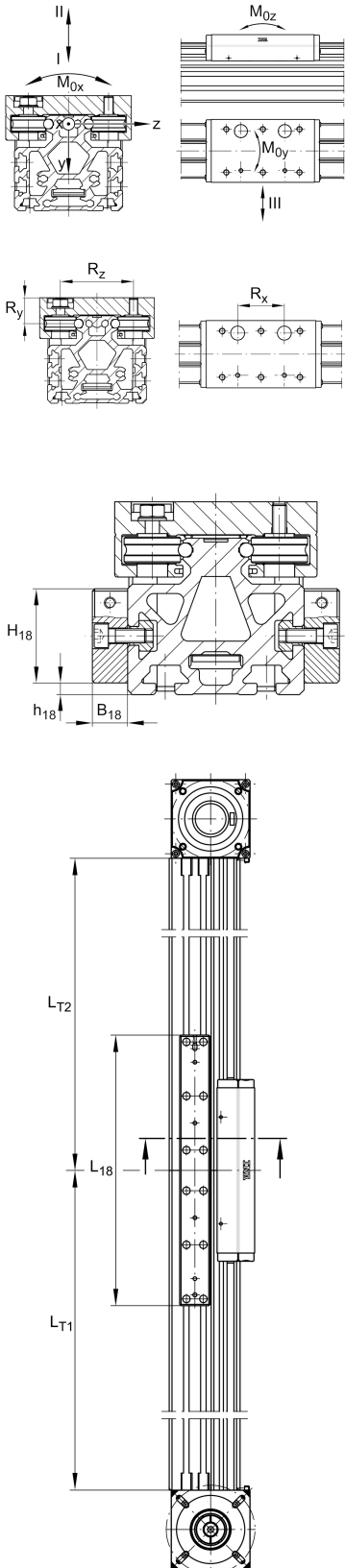
**Medidas de montaje**

| | | |
|--------------|---------|------------------|
| D 86 | 70 mm | |
| D 87 | 80 mm | Ø Bolt circle |
| d 85 | 20 mm | |
| d 86 | 61 mm | Ø Inner Fit |
| L 88 | 25 mm | |
| G 43 | M8 | Thread |
| G 87 | M6 | Thread |
| h 85 | 41,5 mm | |
| J B43 | 59 mm | |
| J L43 | 100 mm | Tolerance ±0,2 |
| J L44 | 245 mm | |
| j B8 | 43 mm | |
| N B85 | 6 mm | Width of Keyway |
| N L85 | 16 mm | Length of Keyway |
| N T85 | 3,5 mm | Depth of Keyway |
| T 86 | 2,3 mm | Depth Fit |
| Tol T 86 up | 0,3 mm | Upper tolerance |
| Tol T 86 low | 0 mm | Lower tolerance |
| t 43 max | 14 mm | Depth of Thread |
| t 87 max | 12 mm | |



Medidas

| | | |
|---------------------|-----------|--|
| B ₂ | 75 mm | Width of Support Rail |
| B ₄ | 74 mm | Width of Return Unit |
| B ₁₈ | 15 mm | |
| B ₇₂ | 2 mm | |
| H ₁ | 32 mm | |
| H ₂ | 66,5 mm | Altura |
| H ₄ | 81,5 mm | Height of Return Unit |
| H ₇ | 47 mm | |
| H ₁₈ | 40 mm | |
| h ₁₃ | 25 mm | |
| h ₁₈ | 5 mm | |
| L _{2 max} | 16.000 mm | Maximum length of Support Rail |
| L ₄ | 80 mm | |
| L ₁₈ | 300 mm | |
| L _{x1 min} | 50 mm | Minimum distance between the Carriages |
| L _{Tn min} | 500 mm | Support Rail in Segments length min |
| L _{Tn max} | 8.000 mm | Support Rail in Segments length max |
| F _{BL} | 1,44 | Effective length factor of bellow |
| S | 85 mm | Medida |



Datos técnicos

| | | |
|------------------------------|------------------------|--|
| m_{LAW} | 1,38 kg | Mass of Carriage |
| m_1 | 1,22 kg | Mass of Connecting Plates of Profiles |
| v_{max} | 8 m/s | Maximum Speed |
| a_{max} | 40 m/s ² | Maximum Acceleration |
| R_x | 205 mm | |
| R_y | 20,5 mm | |
| R_z | 54 mm | |
| I C | 4.100 N | Load direction I: compressive load |
| I C ₀ | 2.400 N | Load direction I: compressive load |
| II C | 4.100 N | Load direction II: tensile load |
| II C ₀ | 2.400 N | Load direction II: tensile load |
| III C | 6.600 N | Load direction III: lateral load |
| III C ₀ | 4.200 N | Load direction III: lateral load |
| $M_{0x \text{ per}}$ | 30 Nm | Max. permissible static moment per Carriage |
| $M_{0y \text{ per}}$ | 425 Nm | Max. permissible static moment per Carriage |
| $M_{0z \text{ per}}$ | 205 Nm | Max. permissible static moment per Carriage |
| I_y | 104 cm ⁴ | Geometrical moments of inertia of Support Rail |
| I_z | 76 cm ⁴ | Geometrical moments of inertia of Support Rail |
| Información adicional | | |
| | 18 Nm | Max. permissible drive torque |
| | 4 x LFR50/8-6-2Z | Track Rollers |
| | 0,1 mm | Repeat Accuracy ± |
| | 175 mm | Feed (mm/rotation) |
| | 20AT5 | Toothed Belt |
| | 0,068 kg/m | Mass of Toothed Belt |
| | 640 N | Permissible Toothed Belt operating force |
| | 2,2 kg*cm ² | Mass moment of inertia of Gears |



Rango de temperatura

| | | |
|------------------|------|------------------------------|
| T _{min} | 0 °C | Minimum operating Temperatur |
|------------------|------|------------------------------|

| | | |
|------------------|-------|------------------------------|
| T _{max} | 80 °C | Maximum operating Temperatur |
|------------------|-------|------------------------------|