

**MLF52-245-E-ZR-W2-FA517.2-FBALG** [↗](#)

Módulo lineal

Actuators with external track roller guidance system and toothed belt drive. With support rail in three segments, second, driven carriage and bellows

Información técnica



Variante de su producto actual

| | | |
|---------------------|---------|-------------------------|
| Size code | 52 | |
| Length of carriage | 245 | 245 mm |
| Carriage design | E | Strengthened carriage |
| Drive type | (3)ZR | Toothed belt drive |
| Additional carriage | W2 | Second, driven carriage |
| Support rail design | FA517.2 | Three-piece |
| Bellow | FBALG | Yes |

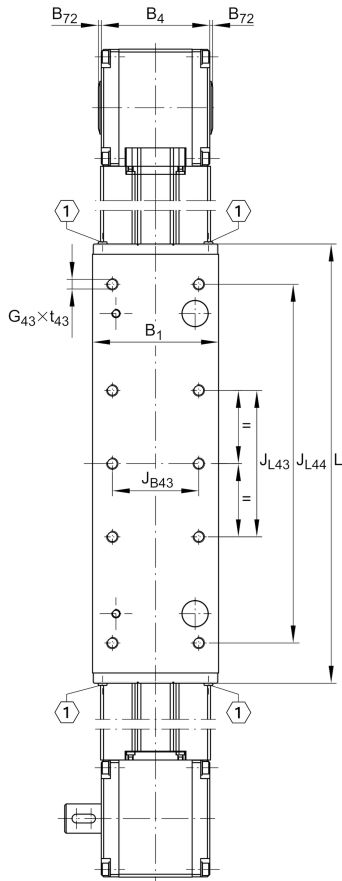
Medidas principales y datos de rendimiento

| | | |
|----------------|--------|-------------|
| B ₁ | 145 mm | Total Width |
| H | 125 mm | Altura |
| L | 245 mm | Longitud |

**Medidas de montaje**

| | | |
|--------------|---------|------------------|
| D 86 | 95 mm | |
| D 87 | 115 mm | Ø Bolt circle |
| d 85 | 20 mm | |
| d 86 | 76 mm | Ø Inner Fit |
| L 88 | 31 mm | |
| G 43 | M10 | Thread |
| G 87 | M8 | Thread |
| h 85 | 60,6 mm | |
| J B43 | 105 mm | |
| J L43 | 160 mm | Tolerance ±0,2 |
| j B8 | 80 mm | |
| N B85 | 6 mm | Width of Keyway |
| N L85 | 25 mm | Length of Keyway |
| N T85 | 3,5 mm | Depth of Keyway |
| T 86 | 4 mm | Depth Fit |
| Tol T 86 up | 0,5 mm | Upper tolerance |
| Tol T 86 low | 0 mm | Lower tolerance |
| t 43 max | 24 mm | Depth of Thread |
| t 87 max | 15 mm | |





Medidas

| | | |
|----------|-----------|--|
| B 2 | 112 mm | Width of Support Rail |
| B 4 | 111 mm | Width of Return Unit |
| B 18 | 15 mm | |
| B 72 | 2 mm | |
| H 1 | 53,8 mm | |
| H 2 | 98,6 mm | Altura |
| H 4 | 118,3 mm | Height of Return Unit |
| H 7 | 65,4 mm | |
| H 18 | 45 mm | |
| h 13 | 25 mm | |
| h 14 | 50 mm | |
| h 18 | 15 mm | |
| L 2 max | 24.000 mm | Maximum length of Support Rail |
| L 4 | 115,5 mm | |
| L 18 | 400 mm | |
| L x1 min | 50 mm | Minimum distance between the Carriages |
| L Tn min | 500 mm | Support Rail in Segments length min |
| L Tn max | 8.000 mm | Support Rail in Segments length max |
| F BL | 1,37 | Effective length factor of bellow |
| S | 85 mm | Medida |



Datos técnicos

| | | |
|--------------------|---------------------|--|
| m_{LAW} | 3,4 kg | Mass of Carriage |
| m_1 | 3,68 kg | Mass of Connecting Plates of Profiles |
| m_3 | 3,4 kg | Mass of additional Carriage |
| v_{max} | 8 m/s | Maximum Speed |
| a_{max} | 40 m/s ² | Maximum Acceleration |
| R_x | 105 mm | |
| R_y | 35,3 mm | |
| R_z | 90 mm | |
| I C | 17.800 N | Load direction I: compressive load |
| I C ₀ | 8.900 N | Load direction I: compressive load |
| II C | 17.800 N | Load direction II: tensile load |
| II C ₀ | 8.900 N | Load direction II: tensile load |
| III C | 28.400 N | Load direction III: lateral load |
| III C ₀ | 15.500 N | Load direction III: lateral load |
| $M_{0x\ per}$ | 180 Nm | Max. permissible static moment per Carriage |
| $M_{0y\ per}$ | 800 Nm | Max. permissible static moment per Carriage |
| $M_{0z\ per}$ | 460 Nm | Max. permissible static moment per Carriage |
| I_y | 386 cm ⁴ | Geometrical moments of inertia of Support Rail |
| I_z | 301 cm ⁴ | Geometrical moments of inertia of Support Rail |



Información adicional

| | |
|-------------------------|--|
| 73,5 Nm | Max. permissible drive torque |
| 4 x LFR5301-10-2Z | Track Rollers |
| 0,1 mm | Repeat Accuracy ± |
| 270 mm | Feed (mm/rotation) |
| 32AT10 | Toothed Belt |
| 0,2 kg/m | Mass of Toothed Belt |
| 1.750 N | Permissible Toothed Belt operating force |
| 12,6 kg*cm ² | Mass moment of inertia of Gears |

Rango de temperatura

| | | |
|------------------|-------|------------------------------|
| T _{min} | 0 °C | Minimum operating Temperatur |
| T _{max} | 80 °C | Maximum operating Temperatur |