

**MLF52-300-ZR** [↗](#)

## Módulo lineal

Actuators with external track roller guidance system and toothed belt drive. Basic carriage, one driven carriage

## Información técnica

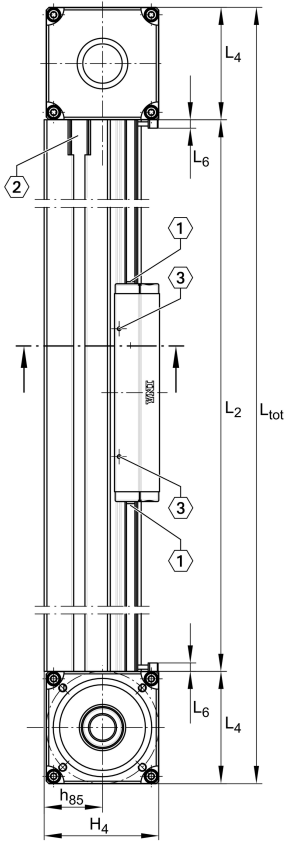


## Variante de su producto actual

|                     |       |                        |
|---------------------|-------|------------------------|
| Size code           | 52    |                        |
| Length of carriage  | 300   | 300 mm                 |
| Carriage design     | /     | Carro estándar         |
| Drive type          | (3)ZR | Toothed belt drive     |
| Additional carriage | /     | No additional carriage |
| Support rail design | /     | One-piece              |
| Bellow              | /     | No                     |

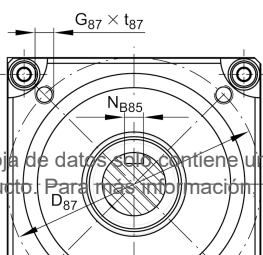
## Medidas principales y datos de rendimiento


|                |          |             |
|----------------|----------|-------------|
| B <sub>1</sub> | 130 mm   | Total Width |
| H              | 119 mm   | Altura      |
| L              | 300 mm   | Longitud    |
| ≈m             | 20,06 kg | Peso        |

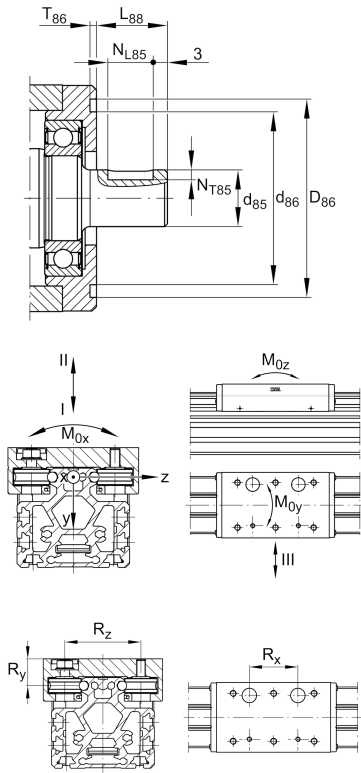


### Medidas de montaje

|              |         |                  |
|--------------|---------|------------------|
| D 86         | 95 mm   |                  |
| D 87         | 115 mm  | Ø Bolt circle    |
| d 85         | 20 mm   |                  |
| d 86         | 76 mm   | Ø Inner Fit      |
| L 88         | 31 mm   |                  |
| G 43         | M10     | Thread           |
| G 87         | M8      | Thread           |
| h 85         | 60,6 mm |                  |
| J B43        | 90 mm   |                  |
| J L43        | 110 mm  | Tolerance ±0,2   |
| J L44        | 210 mm  |                  |
| j B8         | 80 mm   |                  |
| N B85        | 6 mm    | Width of Keyway  |
| N L85        | 25 mm   | Length of Keyway |
| N T85        | 3,5 mm  | Depth of Keyway  |
| T 86         | 4 mm    | Depth Fit        |
| Tol T 86 up  | 0,5 mm  | Upper tolerance  |
| Tol T 86 low | 0 mm    | Lower tolerance  |
| t 43 max     | 20 mm   | Depth of Thread  |
| t 87 max     | 15 mm   |                  |



La hoja de datos  contiene una descripción general de los datos técnicos del producto seleccionado. Consulte la documentación adicional de este producto. Para más información, utilice el siguiente enlace en nuestra página web: [Formulario de contacto](#)



**Medidas**

|         |          |                                |
|---------|----------|--------------------------------|
| B 2     | 112 mm   | Width of Support Rail          |
| B 4     | 111 mm   | Width of Return Unit           |
| B 72    | 2 mm     |                                |
| H 1     | 46,1 mm  |                                |
| H 2     | 98,6 mm  | Altura                         |
| H 4     | 118,3 mm | Height of Return Unit          |
| H 7     | 65,4 mm  |                                |
| h 13    | 25 mm    |                                |
| h 14    | 50 mm    |                                |
| L 2 max | 8.000 mm | Maximum length of Support Rail |
| L 4     | 115,5 mm |                                |
| L 6     | 6 mm     | Length of Wiper Brushes        |
| S       | 85 mm    | Medida                         |



### Datos técnicos

|                     |                     |  |
|---------------------|---------------------|--|
| $m_{LAW}$           | 2,93 kg             | Mass of Carriage                               |
| $v_{max}$           | 8 m/s               | Maximum Speed                                  |
| $a_{max}$           | 40 m/s <sup>2</sup> | Maximum Acceleration                           |
| $R_x$               | 160 mm              |  |
| $R_y$               | 29,3 mm             |  |
| $R_z$               | 83 mm               |  |
| I C                 | 10.000 N            | Load direction I: compressive load             |
| I C <sub>0</sub>    | 5.200 N             | Load direction I: compressive load             |
| II C                | 10.000 N            | Load direction II: tensile load                |
| II C <sub>0</sub>   | 5.200 N             | Load direction II: tensile load                |
| III C               | 16.800 N            | Load direction III: lateral load               |
| III C <sub>0</sub>  | 10.000 N            | Load direction III: lateral load               |
| M <sub>0x per</sub> | 110 Nm              | Max. permissible static moment per Carriage    |
| M <sub>0y per</sub> | 760 Nm              | Max. permissible static moment per Carriage    |
| M <sub>0z per</sub> | 390 Nm              | Max. permissible static moment per Carriage    |
| I <sub>y</sub>      | 386 cm <sup>4</sup> | Geometrical moments of inertia of Support Rail |
| I <sub>z</sub>      | 301 cm <sup>4</sup> | Geometrical moments of inertia of Support Rail |

### Información adicional

|  |                         |  |
|--|-------------------------|--|
|  | 73,5 Nm                 | Max. permissible drive torque            |
|  | 4 x LFR5201-10-2Z       | Track Rollers                            |
|  | 0,1 mm                  | Repeat Accuracy ±                        |
|  | 270 mm                  | Feed (mm/rotation)                       |
|  | 32AT10                  | Toothed Belt                             |
|  | 0,2 kg/m                | Mass of Toothed Belt                     |
|  | 1.750 N                 | Permissible Toothed Belt operating force |
|  | 12,6 kg*cm <sup>2</sup> | Mass moment of inertia of Gears          |



### Rango de temperatura

---

|                  |      |                              |
|------------------|------|------------------------------|
| T <sub>min</sub> | 0 °C | Minimum operating Temperatur |
|------------------|------|------------------------------|

|                  |       |                              |
|------------------|-------|------------------------------|
| T <sub>max</sub> | 80 °C | Maximum operating Temperatur |
|------------------|-------|------------------------------|