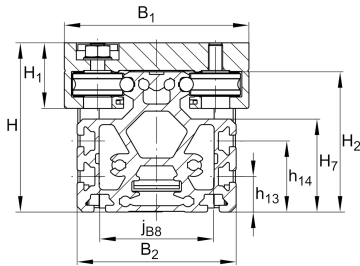


## MLF32-155-ZR-FA517.2-FBALG [↗](#)

### Módulo lineal

Actuators with external track roller guidance system and toothed belt drive. With support rail in three segments and bellows

## Información técnica

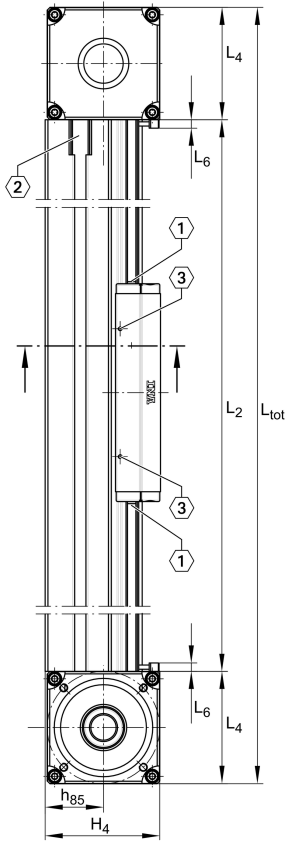


### Variante de su producto actual

|                     |         |                        |
|---------------------|---------|------------------------|
| Size code           | 32      |                        |
| Length of carriage  | 155     | 155 mm                 |
| Carriage design     | /       | Carro estándar         |
| Drive type          | (3)ZR   | Toothed belt drive     |
| Additional carriage | /       | No additional carriage |
| Support rail design | FA517.2 | Three-piece            |
| Bellow              | FBALG   | Yes                    |

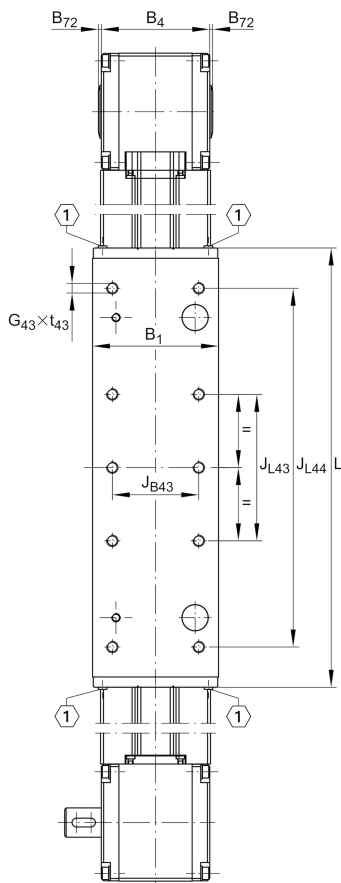
### Medidas principales y datos de rendimiento

|                |        |             |
|----------------|--------|-------------|
| B <sub>1</sub> | 86 mm  | Total Width |
| H              | 82 mm  | Altura      |
| L              | 155 mm | Longitud    |



## Medidas de montaje

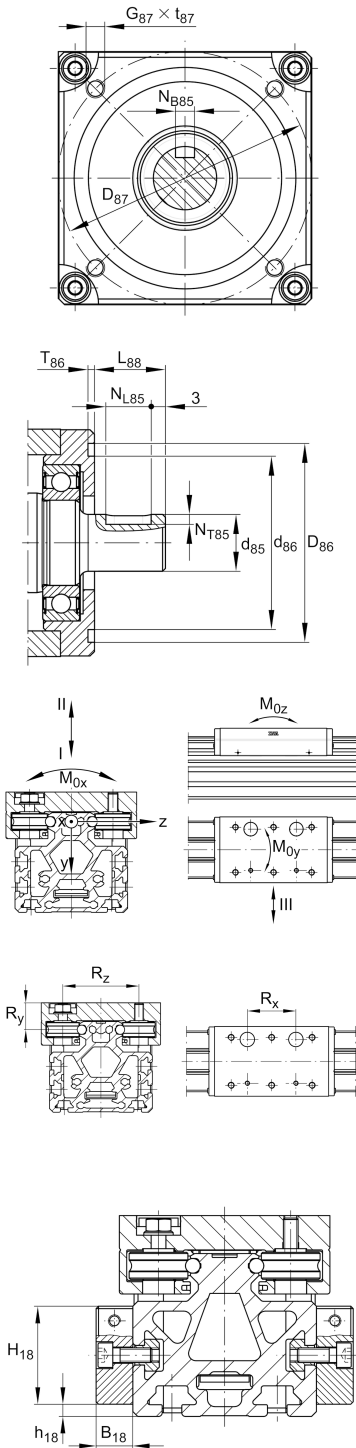
|              |         |                     |
|--------------|---------|---------------------|
| D 86         | 70 mm   |                     |
| D 87         | 80 mm   | Ø Bolt circle       |
| d 85         | 20 mm   |                     |
| d 86         | 61 mm   | Ø Inner Fit         |
| L 88         | 25 mm   |                     |
| G 43         | M8      | Thread              |
| G 87         | M6      | Thread              |
| h 85         | 41,5 mm |                     |
| J B43        | 59 mm   |                     |
| J L43        | 100 mm  | Tolerance $\pm 0,2$ |
| j B8         | 43 mm   |                     |
| N B85        | 6 mm    | Width of Keyway     |
| N L85        | 16 mm   | Length of Keyway    |
| N T85        | 3,5 mm  | Depth of Keyway     |
| T 86         | 2,3 mm  | Depth Fit           |
| Tol T 86 up  | 0,3 mm  | Upper tolerance     |
| Tol T 86 low | 0 mm    | Lower tolerance     |
| t 43 max     | 14 mm   | Depth of Thread     |
| t 87 max     | 12 mm   |                     |

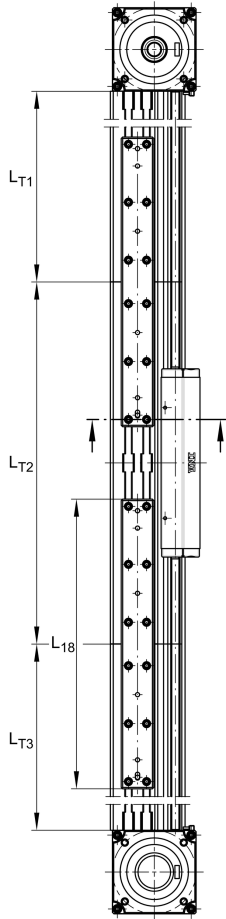




## Medidas

|          |          |                                     |
|----------|----------|-------------------------------------|
| B 2      | 75 mm    | Width of Support Rail               |
| B 4      | 74 mm    | Width of Return Unit                |
| B 18     | 15 mm    |                                     |
| B 72     | 2 mm     |                                     |
| H 1      | 32 mm    |                                     |
| H 2      | 66,5 mm  | Altura                              |
| H 4      | 81,5 mm  | Height of Return Unit               |
| H 7      | 47 mm    |                                     |
| H 18     | 40 mm    |                                     |
| h 13     | 25 mm    |                                     |
| h 18     | 5 mm     |                                     |
| L 2 max  | 8.000 mm | Maximum length of Support Rail      |
| L 4      | 80 mm    |                                     |
| L 18     | 300 mm   |                                     |
| L Tn min | 500 mm   | Support Rail in Segments length min |
| L Tn max | 8.000 mm | Support Rail in Segments length max |
| F BL     | 1,44     | Effective length factor of bellow   |
| S        | 85 mm    | Medida                              |





### Datos técnicos

|                    |                     |  |
|--------------------|---------------------|--|
| $m_{LAW}$          | 0,73 kg             | Mass of Carriage                               |
| $m_1$              | 2,46 kg             | Mass of Connecting Plates of Profiles          |
| $v_{max}$          | 8 m/s               | Maximum Speed                                  |
| $a_{max}$          | 40 m/s <sup>2</sup> | Maximum Acceleration                           |
| $R_x$              | 60 mm               |  |
| $R_y$              | 20,5 mm             |  |
| $R_z$              | 54 mm               |  |
| I C                | 4.100 N             | Load direction I: compressive load             |
| I C <sub>0</sub>   | 2.400 N             | Load direction I: compressive load             |
| II C               | 4.100 N             | Load direction II: tensile load                |
| II C <sub>0</sub>  | 2.400 N             | Load direction II: tensile load                |
| III C              | 6.600 N             | Load direction III: lateral load               |
| III C <sub>0</sub> | 4.200 N             | Load direction III: lateral load               |
| $M_{0x\ per}$      | 30 Nm               | Max. permissible static moment per Carriage    |
| $M_{0y\ per}$      | 130 Nm              | Max. permissible static moment per Carriage    |
| $M_{0z\ per}$      | 70 Nm               | Max. permissible static moment per Carriage    |
| $I_y$              | 104 cm <sup>4</sup> | Geometrical moments of inertia of Support Rail |
| $I_z$              | 76 cm <sup>4</sup>  | Geometrical moments of inertia of Support Rail |

### Información adicional

|                        |  |
|------------------------|--|
| 18 Nm                  | Max. permissible drive torque            |
| 4 x LFR50/8-6-2Z       | Track Rollers                            |
| 0,1 mm                 | Repeat Accuracy ±                        |
| 175 mm                 | Feed (mm/rotation)                       |
| 20AT5                  | Toothed Belt                             |
| 0,068 kg/m             | Mass of Toothed Belt                     |
| 640 N                  | Permissible Toothed Belt operating force |
| 2,2 kg*cm <sup>2</sup> | Mass moment of inertia of Gears          |



### Rango de temperatura

---

T<sub>min</sub>      0 °C      Minimum operating Temperatur

T<sub>max</sub>      80 °C      Maximum operating Temperatur