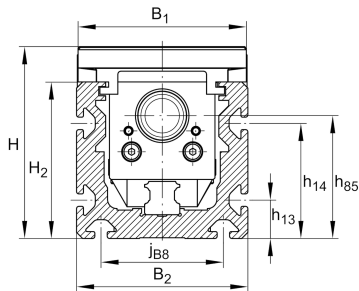


**MKUSE25-200-KGT/10-MM-SPU** [↗](#)

Módulo lineal

Actuators with six-row linear recirculating bearing and guideway assembly, monorail guidance system and ball screw drive. With single spindle support and double nut (cylindrical)

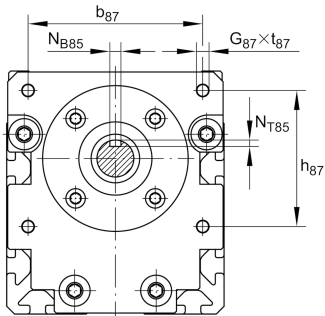
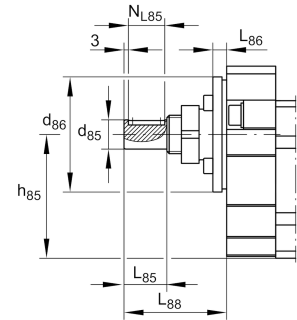
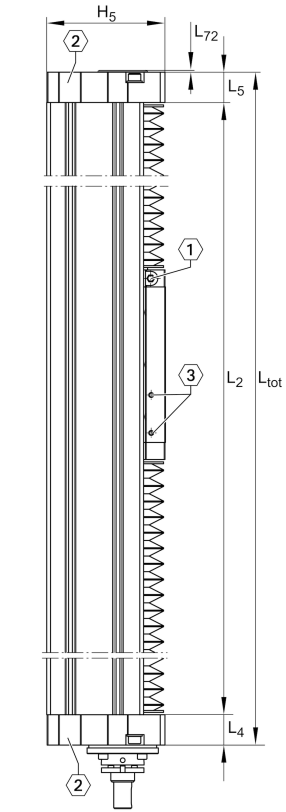
Información técnica

**Variante de su producto actual**

Size code	25	
Length of carriage	200	200 mm
Drive type	KGT	Ball screw drive
Spindle pitch	10	10 mm
Spindle nut design	MM	Double cylinder nut
Additional carriage	/	No additional carriage
Spindle support	SPU	Yes
Attachment to the carriage	/	Threaded holes

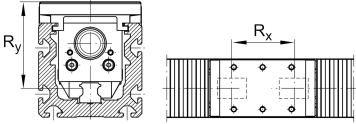
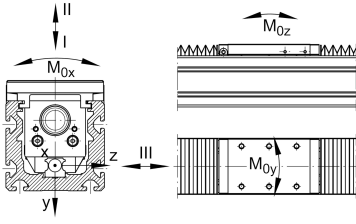
Medidas principales y datos de rendimiento

L	200 mm	Length of Carriage
H	125 mm	Total Height
B 2	112 mm	Total Width



Medidas de montaje

B 1	110 mm	Width of Carriage
b 87	90 mm	
d 85	19 mm	
Tol d 85	h6	Tolerance
d 86	75 mm	
Tol d 86	h7	Tolerance
G 43	M10	Thread
G 87	M8	Thread
h 13	25 mm	
h 14	75 mm	
h 85	80 mm	
h 87	70 mm	
J B43	80 mm	
Tol J B43	0,1	Upper Tolerance
Tol J B43	-0,1	Lower Tolerance
J L43	110 mm	Tolerance ±0,2
j B8	80 mm	
L 2 max	5.850 mm	Maximum length of Support Rail
L 85	28 mm	
L 86	9 mm	
L 88	67 mm	
N B85	6 mm	Tolerance P9
N L85	20 mm	Length of Keyway
N T85	3,5 mm	Depth of Keyway
t 43	20 mm	Depth of Thread
t 87	18 mm	Depth of Thread



Medidas

B 5	111 mm	Width of End Plates
F BL	1,2	Effective length factor of bellow
H 2	102 mm	Width of Support Rail
H 5	124,5 mm	
L 4	32 mm	
L 5	32 mm	
L 72	2 mm	



Datos técnicos

R_x	83,3 mm	
R_y	93,8 mm	
S	10 mm	Safety Distance
m_{LAW}	4,65 kg	Mass of Carriage
v_{max}	0,43 m/s	Maximum Speed
a_{max}	10 m/s ²	Maximum Acceleration
IC	61.700 N	Load direction I: compressive load
I C ₀	162.000 N	Load direction I: compressive load
II C	42.200 N	Load direction II: tensile load
II C ₀	90.000 N	Load direction II: tensile load
III C	45.400 N	Load direction III: lateral load
III C ₀	94.000 N	Load direction III: lateral load
$M_{0x\ per}$	1.350 Nm	Max. permissible static moment per Carriage
$M_{0y\ per}$	1.850 Nm	Max. permissible static moment per Carriage
$M_{0z\ per}$	2.000 Nm	Max. permissible static moment per Carriage
I_y	670 cm ⁴	Geometrical moments of inertia of Support Rail
I_z	384 cm ⁴	Geometrical moments of inertia of Support Rail
$C_{a\ MU}$	33.400 N	Load capacity spindle nut dyn
$C_{0a\ MU}$	54.500 N	Load capacity spindle nut stat
$C_{a\ L}$	27.500 N	Load capacity fixed Spindle bearing dyn
$C_{0a\ L}$	55.000 N	Load capacity fixed Spindle bearing stat
d_0	32 mm	Spindle Diameter
P	10 mm	Spindle Pitch
I_s	6,43 kg*cm ²	Mass moment of inertia of threaded Spindle
SPU	Ja	Spindle Support



Ver detalles del producto en Medias

11.11.2025, 19:42:07 UTC

SCHAEFFLER

Información adicional

ZKLF2575-2RS-PE Rolling Bearings

MM Drive System

2xKWSE25 Carriage