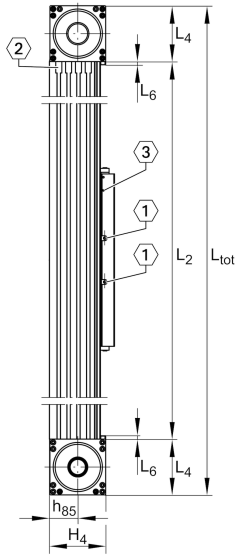
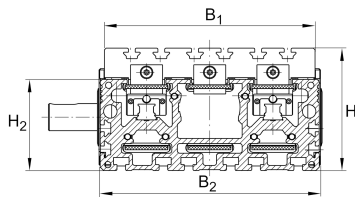


**MDKUBE25-500-3ZR-N** [↗](#)

## Módulo lineal

Tandem actuators with four-row linear recirculating bearing and guideway assembly, monorail guidance system and toothed belt drive. Basic design with triple toothed belt, one driven carriage with fixing slots in carriage

## Información técnica



## Variante de su producto actual

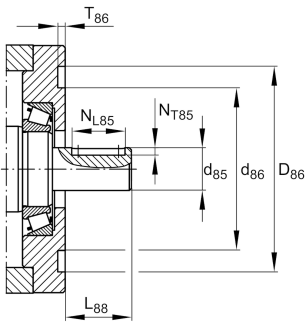
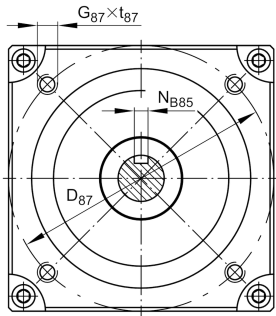
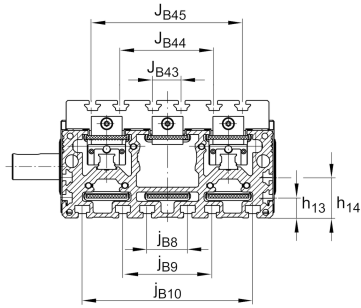
Size code	25	
Length of carriage	500	500 mm
Ejecución	/	Basis
Drive type	(3)ZR	Toothed belt drive
Additional carriage	/	No additional carriage
Attachment to the carriage	N	T-Slots

## n.r.

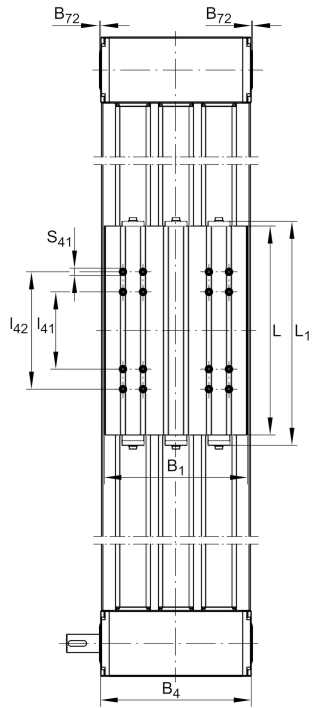
/ Support Rail Design

## Medidas principales y datos de rendimiento

B 2	260 mm	Total Width
H	145 mm	Total Height
L	500 mm	Length of Carriage

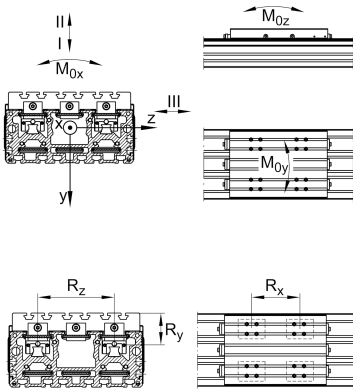
**Medidas de montaje**

B 1	250 mm	Width of Carriage
D 86	95 mm	
Tol D 86	G7	Tolerance
D 87	115 mm	
d 85	32 mm	Tolerance h7
d 86	76 mm	
G 87	M8	
h 13	25 mm	
h 14	50 mm	
J B43	35 mm	
j B8	50 mm	
L 2 max	6.000 mm	Maximum length of Support Rail
L 88	60 mm	
N B85	10 mm	Tolerance P9
N L85	32 mm	Length of Keyway
N T85	5 mm	Depth of Keyway
S 41	13 mm	
t 87 max	15 mm	Depth of Thread
j B9	110 mm	
j B10	210 mm	
J B44	115 mm	
J B45	185 mm	



### Medidas

$B_{72}$	2 mm	
$H_2$	108 mm	Height of Support Rail
$H_4$	120,5 mm	Height of Return Unit
$h_{85}$	63 mm	
$L_1$	540 mm	
$L_4$	115,5 mm	Length of Return Unit
$L_6$	6 mm	Length of Wiper Brushes
$l_{41}$	240 mm	
$l_{42}$	340 mm	
$B_4$	263 mm	Width of Return Unit
$T_{86}$	4 mm	Depth Fit





### Datos técnicos

R <sub>x</sub>	305 mm	
R <sub>y</sub>	72,8 mm	
R <sub>z</sub>	150 mm	
S	85 mm	Safety Distance
m <sub>LAW</sub>	16 kg	
v <sub>max</sub>	5 m/s	Maximum Speed
a <sub>max</sub>	30 m/s <sup>2</sup>	Maximum Acceleration
I <sub>C</sub>	47.200 N	Load direction I: compressive load
I <sub>C 0</sub>	148.000 N	Load direction I: compressive load
II <sub>C</sub>	47.200 N	Load direction II: tensile load
II <sub>C 0</sub>	148.000 N	Load direction II: tensile load
III <sub>C</sub>	47.200 N	Load direction III: lateral load
III <sub>C 0</sub>	148.000 N	Load direction III: lateral load
M <sub>0x per</sub>	9.500 Nm	Max. permissible static moment per Carriage
M <sub>0y per</sub>	18.500 Nm	Max. permissible static moment per Carriage
M <sub>0z per</sub>	18.500 Nm	Max. permissible static moment per Carriage
I <sub>y</sub>	7.069 cm <sup>4</sup>	Geometrical moments of inertia of Support Rail
I <sub>z</sub>	899 cm <sup>4</sup>	Geometrical moments of inertia of Support Rail

### Información adicional

207 Nm	Max. permissible drive torque
4xKWVE25-B-H	Carriage
0,1 mm	Repeat Accuracy ±
230 mm	Feed (mm/rotation)
50AT10	Toothed Belt
0,945 kg/m	Mass of Toothed Belt
5.640 N	Permissible Toothed Belt operating force
35,2 kg*cm <sup>2</sup>	Mass moment of inertia of Gears



### Rango de temperatura

---

max	80 °C	Maximum operating Temperatur
min	0 °C	Minimum operating Temperatur