

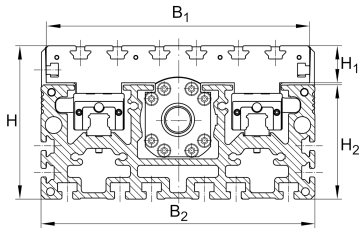


MDKUBE25-365-KGT/20-FM-N [↗](#)

Módulo lineal

Tandem actuators with four-row linear recirculating bearing and guideway assembly, monorail guidance system and ball screw drive. Basic design, one driven carriage with double nut and fixing slots in carriage

Información técnica

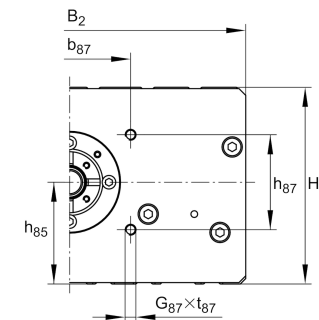
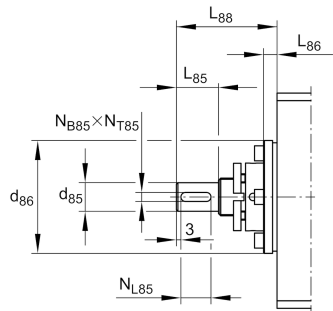
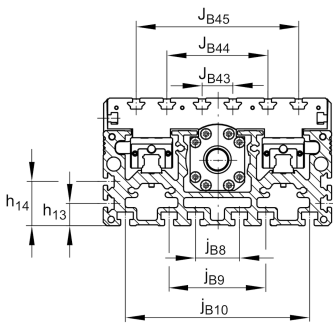
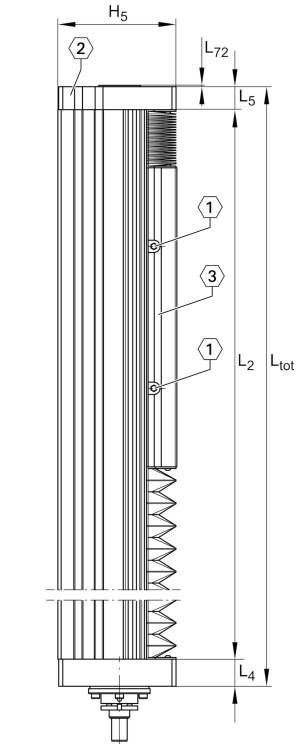


Variante de su producto actual

| | | |
|----------------------------|-----|---------------------------|
| Size code | 25 | |
| Length of carriage | 365 | 365 mm |
| Drive type | KGT | Ball screw drive |
| Spindle pitch | 20 | 20 mm |
| Spindle nut design | FM | Flange nut & cylinder nut |
| Additional carriage | / | No additional carriage |
| Spindle support | / | None |
| Attachment to the carriage | N | T-Slots |

Medidas principales y datos de rendimiento

| | | |
|-----|--------|--------------------|
| L | 365 mm | Length of Carriage |
| H | 145 mm | Total Height |
| B 2 | 260 mm | Total Width |



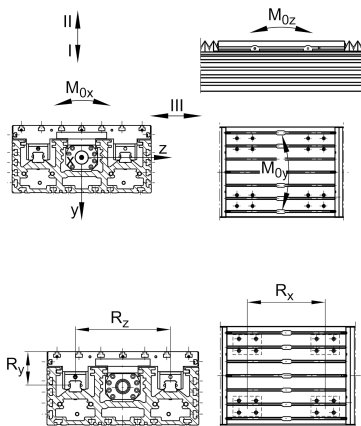
Medidas de montaje

| | | |
|----------|----------|--------------------------------|
| B 1 | 250 mm | Width of Carriage |
| b 87 | 90 mm | |
| d 85 | 19 mm | |
| Tol d 85 | h6 | Tolerance |
| d 86 | 75 mm | |
| Tol d 86 | h7 | Tolerance |
| G 87 | M8 | Thread |
| h 13 | 25 mm | |
| h 14 | 50 mm | |
| h 85 | 75 mm | |
| h 87 | 70 mm | |
| J B43 | 35 mm | |
| J B44 | 115 mm | |
| J B45 | 185 mm | |
| j B8 | 50 mm | |
| j B9 | 110 mm | |
| j B10 | 210 mm | |
| L 2 max | 5.850 mm | Maximum length of Support Rail |
| L 85 | 28 mm | |
| L 86 | 9 mm | |
| L 88 | 67 mm | |
| N B43 | 14 mm | |
| N B85 | 6 mm | Tolerance P9 |
| N L43 | 20 mm | |
| N L85 | 20 mm | Length of Keyway |
| N T85 | 3,5 mm | Depth of Keyway |
| t 87 | 20 mm | Depth of Thread |



Medidas

| | | |
|----------|--------|-----------------------------------|
| B_5 | 259 mm | Width of End Plates |
| F_{BL} | 1,18 | Effective length factor of bellow |
| H_1 | 35 mm | Height of Carriage |
| H_2 | 108 mm | Width of Support Rail |
| H_5 | 144 mm | |
| L_4 | 33 mm | |
| L_5 | 28 mm | |
| L_{72} | 2 mm | |
| I_{41} | 30 mm | |
| I_{42} | 35 mm | |
| S_{41} | 13 mm | |





Datos técnicos

| | | |
|---------------------|-------------------------|--|
| R _x | 270 mm | |
| R _y | 72,8 mm | |
| R _z | 150 mm | |
| S | 20 mm | Safety Distance |
| m _{LAW} | 13,04 kg | Mass of Carriage |
| v _{max} | 0,86 m/s | Maximum Speed |
| a _{max} | 10 m/s ² | Maximum Acceleration |
| IC | 47.200 N | Load direction I: compressive load |
| I C ₀ | 148.000 N | Load direction I: compressive load |
| II C | 47.200 N | Load direction II: tensile load |
| II C ₀ | 148.000 N | Load direction II: tensile load |
| III C | 47.200 N | Load direction III: lateral load |
| III C ₀ | 148.000 N | Load direction III: lateral load |
| M _{0x per} | 9.500 Nm | Max. permissible static moment per Carriage |
| M _{0y per} | 16.000 Nm | Max. permissible static moment per Carriage |
| M _{0z per} | 16.000 Nm | Max. permissible static moment per Carriage |
| I _y | 7.069 cm ⁴ | Geometrical moments of inertia of Support Rail |
| I _z | 899 cm ⁴ | Geometrical moments of inertia of Support Rail |
| C _{a MU} | 29.700 N | Load capacity spindle nut dyn |
| C _{0a MU} | 59.800 N | Load capacity spindle nut stat |
| C _{a L} | 27.500 N | Load capacity fixed Spindle bearing dyn |
| C _{0a L} | 55.000 N | Load capacity fixed Spindle bearing stat |
| d ₀ | 32 mm | Spindle Diameter |
| P | 20 mm | Spindle Pitch |
| I _s | 6,43 kg*cm ² | Mass moment of inertia of threaded Spindle |



Información adicional

| | |
|-----------------|------------------|
| ZKLF2575-2RS-PE | Rolling Bearings |
|-----------------|------------------|

| | |
|----|--------------|
| FM | Drive System |
|----|--------------|

| | |
|---------------|----------|
| 4x KWVE25-B-H | Carriage |
|---------------|----------|