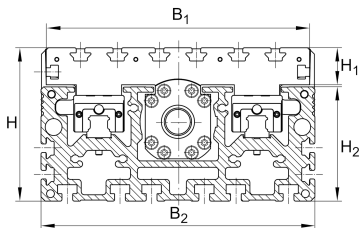


**MDKUBE25-365-KGT/10-F-WN2-N** [↗](#)

## Módulo lineal

Tandem actuators with four-row linear recirculating bearing and guideway assembly, monorail guidance system and ball screw drive. With second, non-driven carriage, single nut and fixing slots in carriage

## Información técnica

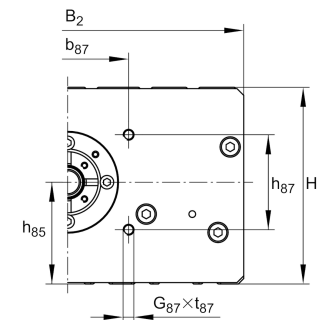
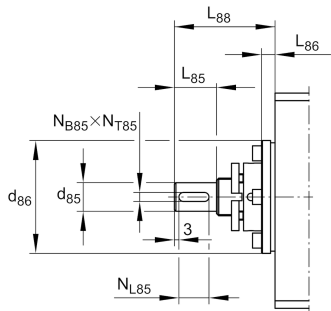
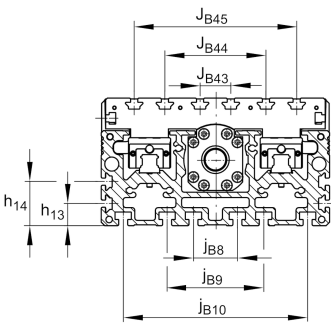
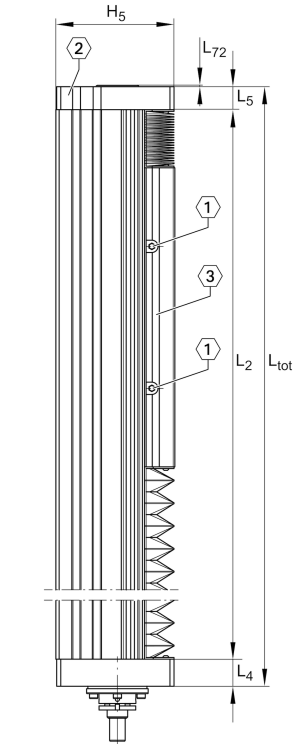


## Variante de su producto actual

Size code	25	
Length of carriage	365	365 mm
Drive type	KGT	Ball screw drive
Spindle pitch	10	10 mm
Spindle nut design	F	Flange nut
Additional carriage	WN2	Second, non-driven carriage
Spindle support	/	None
Attachment to the carriage	N	T-Slots

## Medidas principales y datos de rendimiento

L	365 mm	Length of Carriage
H	145 mm	Total Height
B <sub>2</sub>	260 mm	Total Width



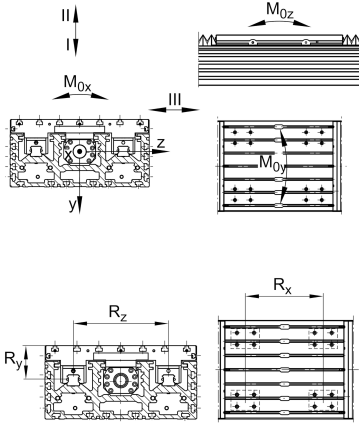
**Medidas de montaje**

B 1	250 mm	Width of Carriage
b 87	90 mm	
d 85	19 mm	
Tol d 85	h6	Tolerance
d 86	75 mm	
Tol d 86	h7	Tolerance
G 87	M8	Thread
h 13	25 mm	
h 14	50 mm	
h 85	75 mm	
h 87	70 mm	
J B43	35 mm	
J B44	115 mm	
J B45	185 mm	
j B8	50 mm	
j B9	110 mm	
j B10	210 mm	
L 2 max	5.850 mm	Maximum length of Support Rail
L 85	28 mm	
L 86	9 mm	
L 88	67 mm	
N B43	14 mm	
N B85	6 mm	Tolerance P9
N L43	20 mm	
N L85	20 mm	Length of Keyway
N T85	3,5 mm	Depth of Keyway
t 87	20 mm	Depth of Thread



### Medidas

$B_5$	259 mm	Width of End Plates
$F_{BL}$	1,18	Effective length factor of bellow
$H_1$	35 mm	Height of Carriage
$H_2$	108 mm	Width of Support Rail
$H_5$	144 mm	
$L_4$	33 mm	
$L_5$	28 mm	
$L_{72}$	2 mm	
$I_{41}$	30 mm	
$I_{42}$	35 mm	
$L_{x1 \text{ min}}$	20 mm	Minimum distance between the Carriages
$S_{41}$	13 mm	





### Datos técnicos

R <sub>x</sub>	270 mm	
R <sub>y</sub>	72,8 mm	
R <sub>z</sub>	150 mm	
S	10 mm	Safety Distance
m <sub>LAW</sub>	13,04 kg	Mass of Carriage
m <sub>3</sub>	11,48 kg	Mass of additional Carriage
v <sub>max</sub>	0,43 m/s	Maximum Speed
a <sub>max</sub>	20 m/s <sup>2</sup>	Maximum Acceleration
IC	47.200 N	Load direction I: compressive load
I C <sub>0</sub>	148.000 N	Load direction I: compressive load
II C	47.200 N	Load direction II: tensile load
II C <sub>0</sub>	148.000 N	Load direction II: tensile load
III C	47.200 N	Load direction III: lateral load
III C <sub>0</sub>	148.000 N	Load direction III: lateral load
M <sub>0x per</sub>	9.500 Nm	Max. permissible static moment per Carriage
M <sub>0y per</sub>	16.000 Nm	Max. permissible static moment per Carriage
M <sub>0z per</sub>	16.000 Nm	Max. permissible static moment per Carriage
I <sub>y</sub>	7.069 cm <sup>4</sup>	Geometrical moments of inertia of Support Rail
I <sub>z</sub>	899 cm <sup>4</sup>	Geometrical moments of inertia of Support Rail
C <sub>a MU</sub>	33.400 N	Load capacity spindle nut dyn
C <sub>0a MU</sub>	54.500 N	Load capacity spindle nut stat
C <sub>a L</sub>	27.500 N	Load capacity fixed Spindle bearing dyn
C <sub>0a L</sub>	55.000 N	Load capacity fixed Spindle bearing stat
d <sub>0</sub>	32 mm	Spindle Diameter
P	10 mm	Spindle Pitch
I <sub>s</sub>	6,43 kg*cm <sup>2</sup>	Mass moment of inertia of threaded Spindle
WN2	Ja	Second, non-driven Carriage



### Información adicional

---

ZKLF2575-2RS-PE Rolling Bearings

F Drive System

4x KWVE25-B-H Carriage